

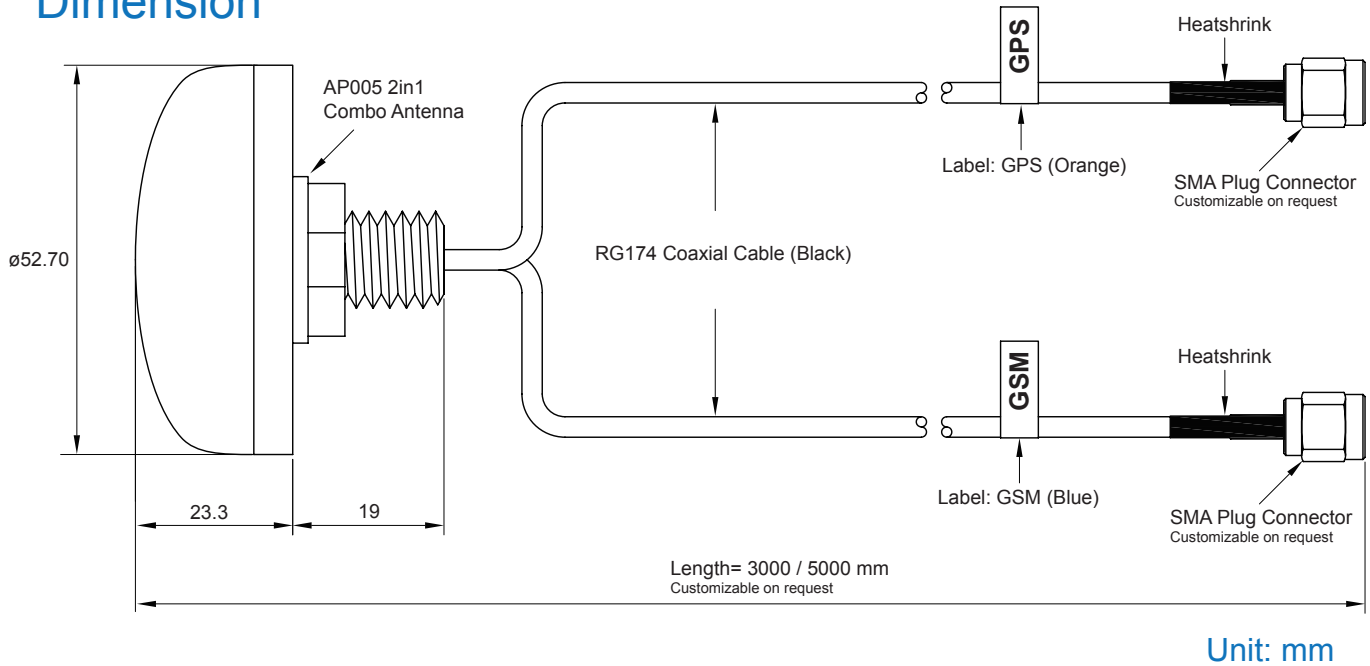
GPS/GSM 2in1 Antenna

AP005 Outdoor Screw mount type

Product No. AP005WSG05XXX



Dimension



Mechanical Properties

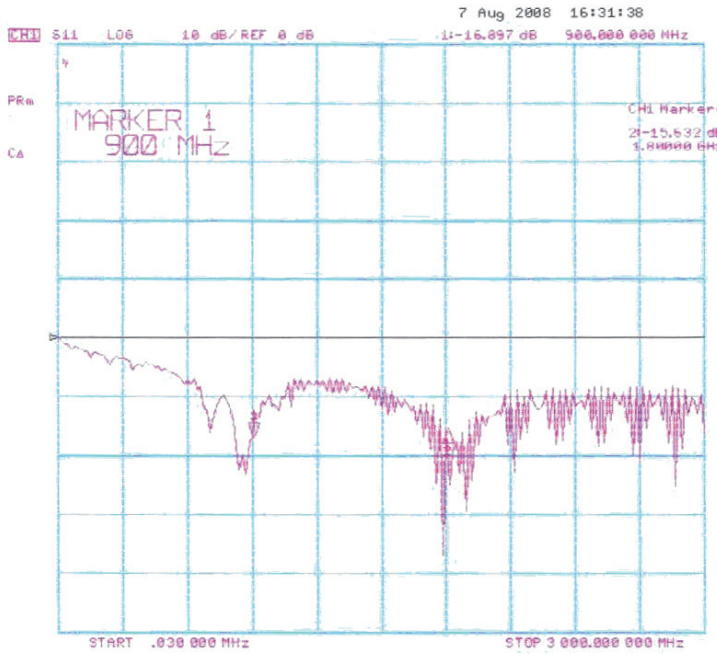
Description	Specification
Antenna Type	Outdoor Screw Mount
Antenna Material	ABS
Antenna Color	Black
Cable Type	RG174 U
Cable Outside diameter	2.6 +/- 0.1 mm
Cable Length	3M / 5M Customizable on request
Connector Type	SMA / FME / MMCX / MCX Customizable on request
Connector Plating	Gold / Nickel

Electrical Properties

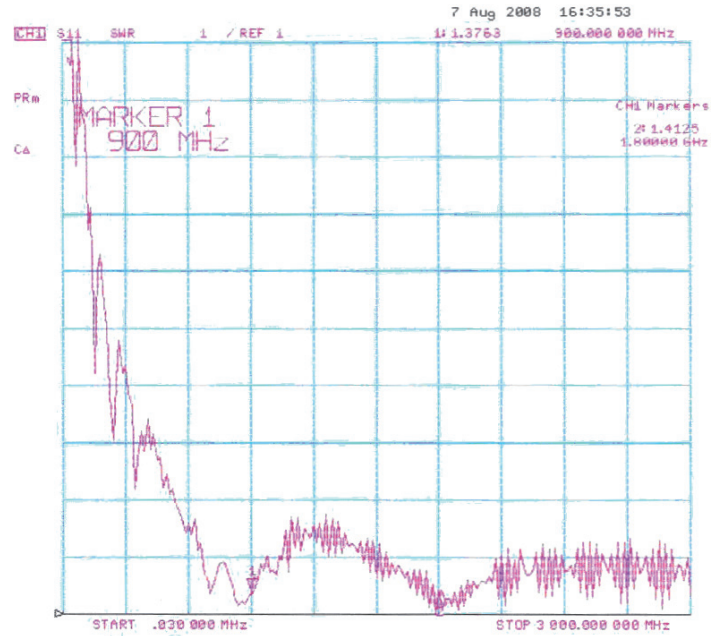
Description	Specification
Frequency Band(GSM)	900/1800 MHz
Frequency Band(GPS)	1575.42 MHz
Nominal Impedance	50 ohm
V.S.W.R	< 2.0:1
Gain for GPS	30 dBi
Gain for GSM	0 dBi

Test Report

GSM Return Loss (S11)



GSM VSWR (S11)



GPS Insertion Loss (S21)

