

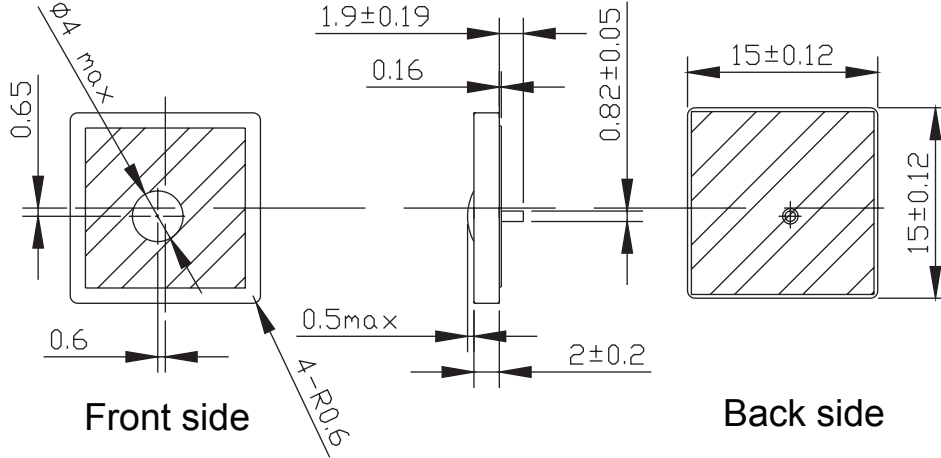
AQ006 GPS Patch Antenna

Passive Ceramic GPS Patch Antenna 15 x 15 x 2 mm

Product No. AQ00653GPS000



Dimensions (unit: mm)



Application

- Navigation systems or position tracking systems.
- Hand-held devices when GPS function is needed, e.g., Bluetooth GPS Receiver, Smart phone, Personal Digital Assistant (PDA), Portable Navigation Device (PND).

Features

- Stable and reliable in performances
- Low temperature coefficient of frequency
- Compact size
- RoHS compliance

Electrical Specification

Patch

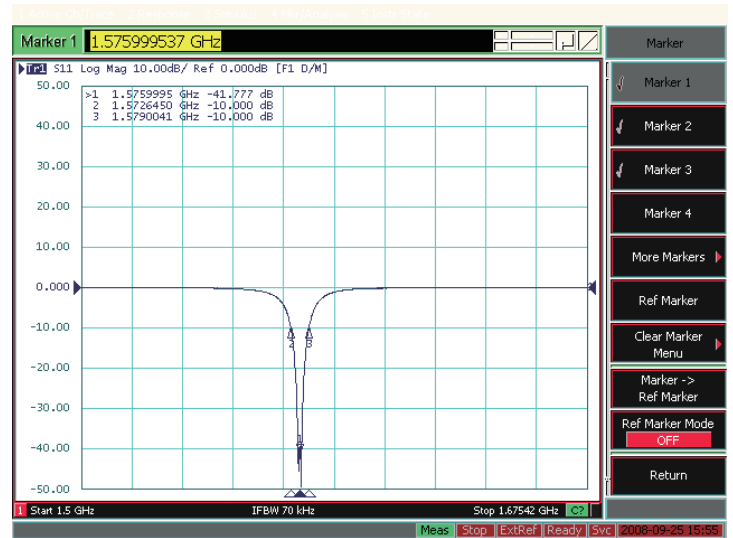
Outline Dimensions	15 × 15 × 2 mm
Ground Plane	30 x 30 mm
Center Frequency*	1575.42 ± 2 MHz
Bandwidth (10dB return loss)	5 MHz Min.
VSWR	2 Max.
Impedance	50 Ω
Polarization	R.H.C.P
Gain at Zenith	0.8 dBic typ.
Gain at 10° elevation	-7.9 dBic typ.
Axial Ratio	3 dB typ.
Temperature Coefficient of Frequency	0 ± 20 ppm/°C Max. (at -20 ~ 80 °C)

Center frequency will be offset to working frequency according to the conditions of user's ground plane and radome.

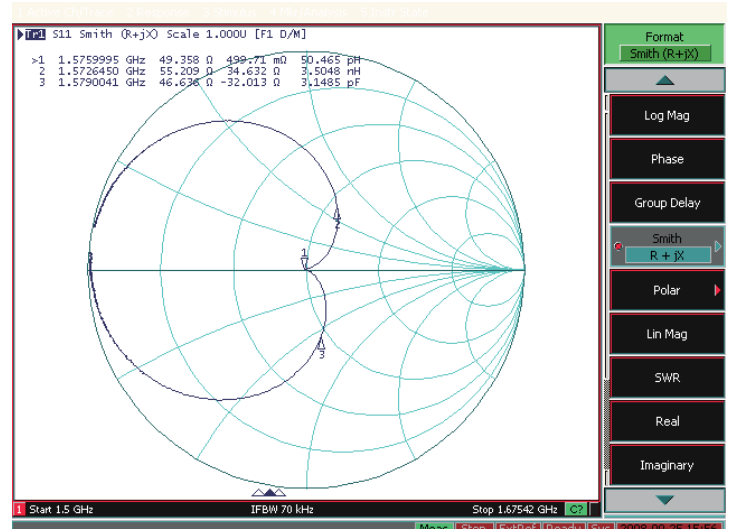
Test Report

Ground Plane in 30 x 30 mm

S11 Return Loss



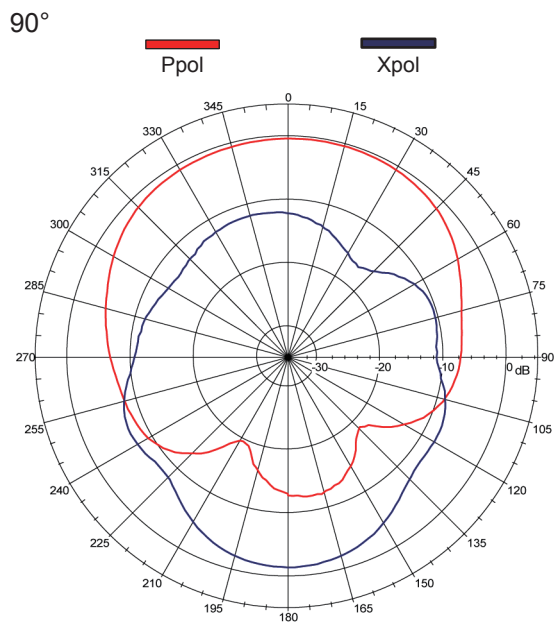
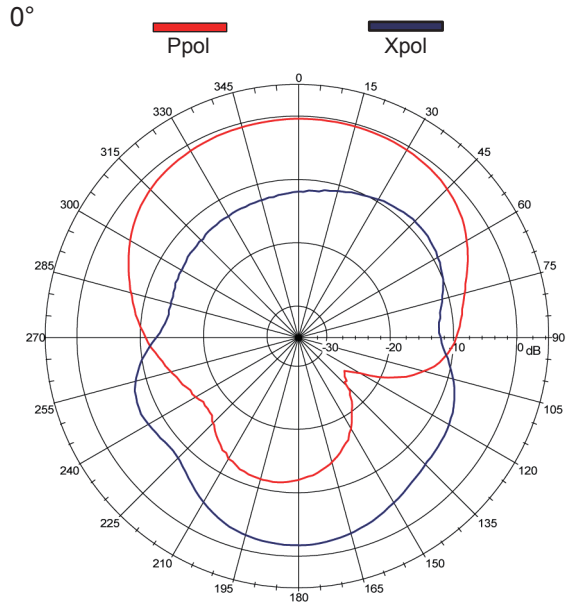
Smith Chart



Test Report

Ground Plane in 30 x 30 mm

Radiation Pattern



Right hand circular polarized signal $f_0=1575.42\text{MHz}$