

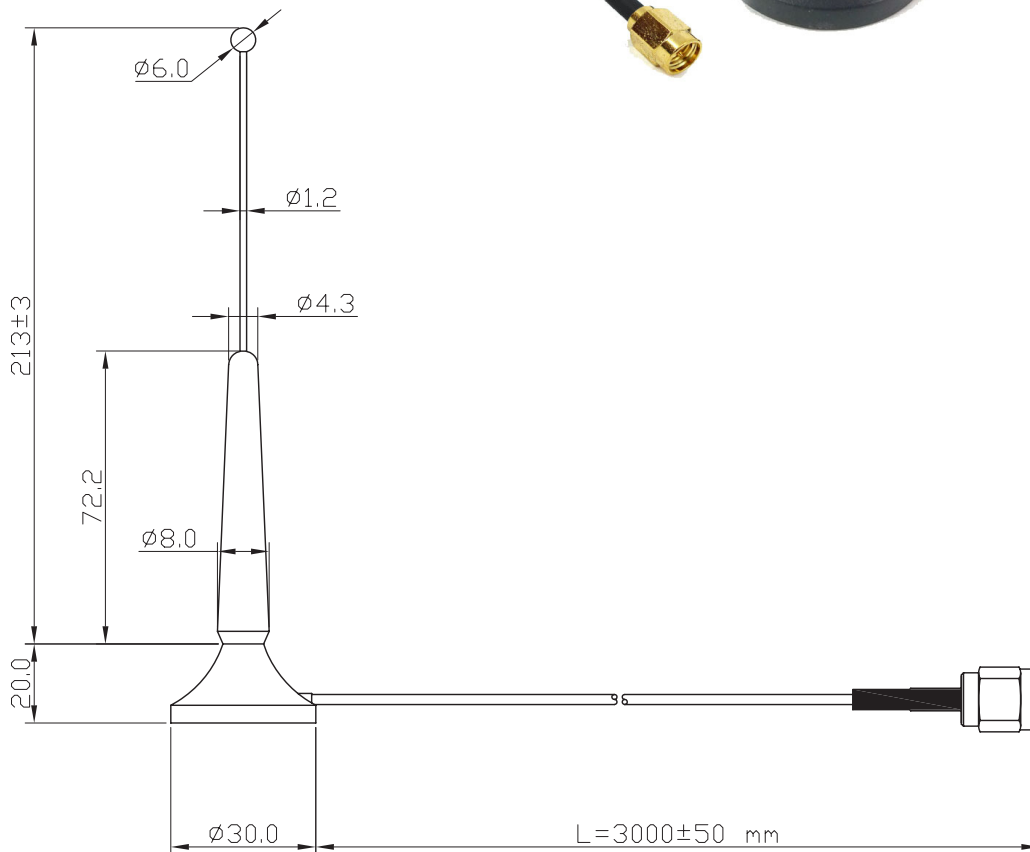
# AM001 GSM Antenna

## Quad-Band 850/900/1800/1900MHz Magnetic Mount

Product No. AM001WSG08005



### Dimensions (unit: mm)



### Electrical Specification

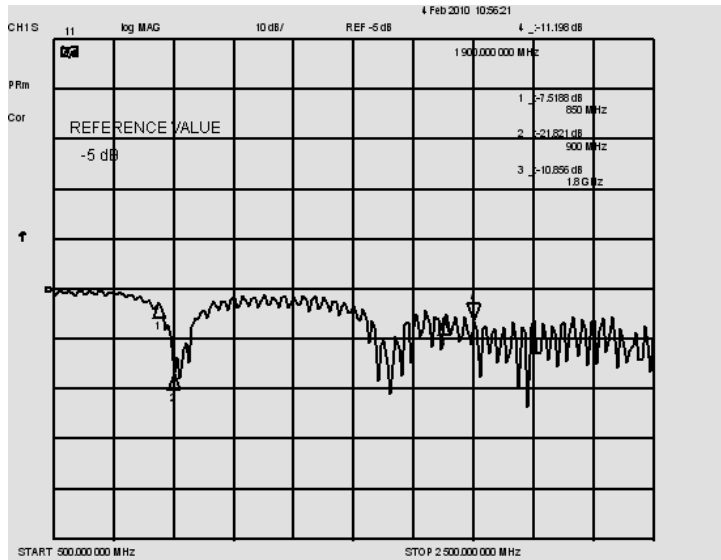
Frequency Band	850/900/1800/1900 MHz
Impedance	50 Ω
VSWR	Max. 2.0
Gain	3 dBi

### Mechanical Specification

Antenna Type	Car Antenna Magnetic Mount
Antenna Cover	Core tube
Antenna Color	Black
Connector Type	SMA Plug (Male) Connector
Cable Type	RG174U
Cable Length	3M
Cable Color	Black
Operating Temperature	-20°C ~ +80°C

# Test report

## $S_{11}$ Return Loss



## VSWR

