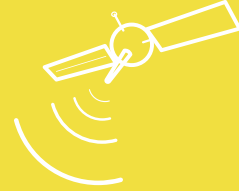




Wellshow
Always Innovation



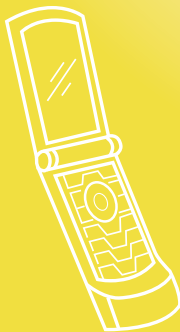
047



PRODUCT SPECIFICATION

GSM Quad-Band Antenna Swivel Type 2dBi with SMA Straight Plug

Product No. AR006WSG0801N



RF Connector, RF Cable & Antenna Manufacturer

E-mail: sales@wellshow.com.tw
Tel: +886-2-24239376 Fax: +886-2-24260387
9F., No.181, Nanrong Rd., Ren-ai Dist., Keelung City 200, Taiwan (R.O.C.)

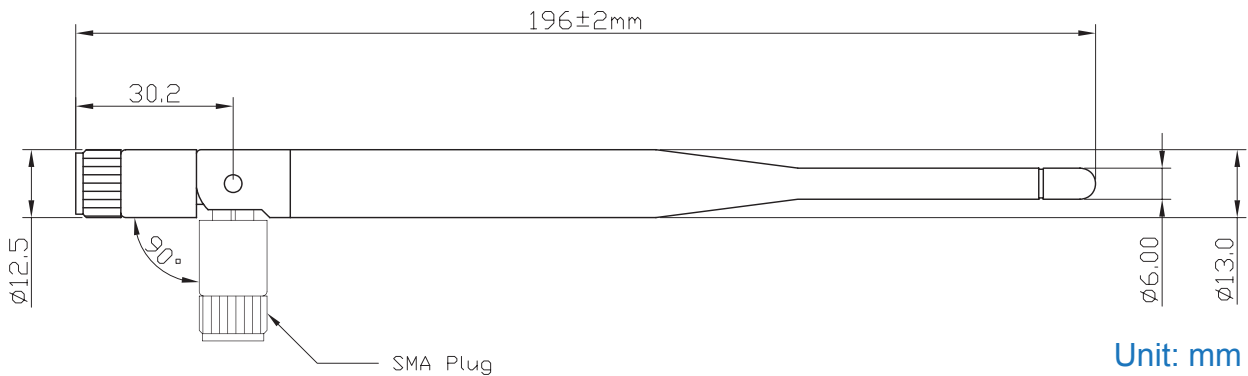


GSM Quad-Band Antenna Swivel type 2dBi with SMA Straight Plug

P/N AR006WSG08001N



Structure Figure



Mechanical

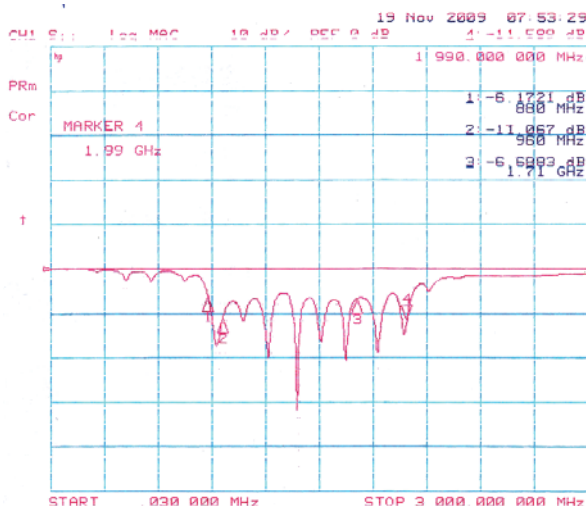
Antenna Cover	TPEE (Black)
Antenna Base	PBT (Black)
Operating Temperature	-20°C~+65°C
Storage Temperature	-30°C~+75°C
Connector	SMA Plug (M)
Cable Type	RG316 (Brown)

Electrical

Frequency Range	850/900/1800/1900 MHz
Impedance	50 Ω
Return Loss	880 MHz, -6 dB 960 MHz, -12 dB 1710 MHz, -10 dB 1990 MHz, -9.9 dB
Certain direction	Omin
Gain	2 dBi

Test results

Vertical



Horizontal

