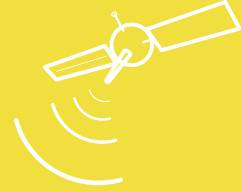




Wellshow
Always Innovation



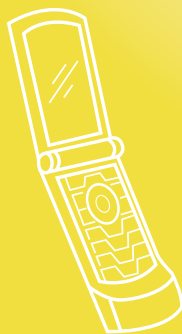
047



PRODUCT SPECIFICATION

AR006 WLAN 2.4/5.8GHz Antenna Swivel Type

Product No. AR006WSW0319N (RP-SMA Plug)
AR006WSW0301N (SMA Plug)



RF Connector, RF Cable & Antenna Manufacturer

E-mail: sales@wellshow.com.tw
Tel: +886-2-24239376 Fax: +886-2-24260387
9F., No.181, Nanrong Rd., Ren-ai Dist., Keelung City 200, Taiwan (R.O.C.)



WLAN 2.4/5.8GHz Antenna

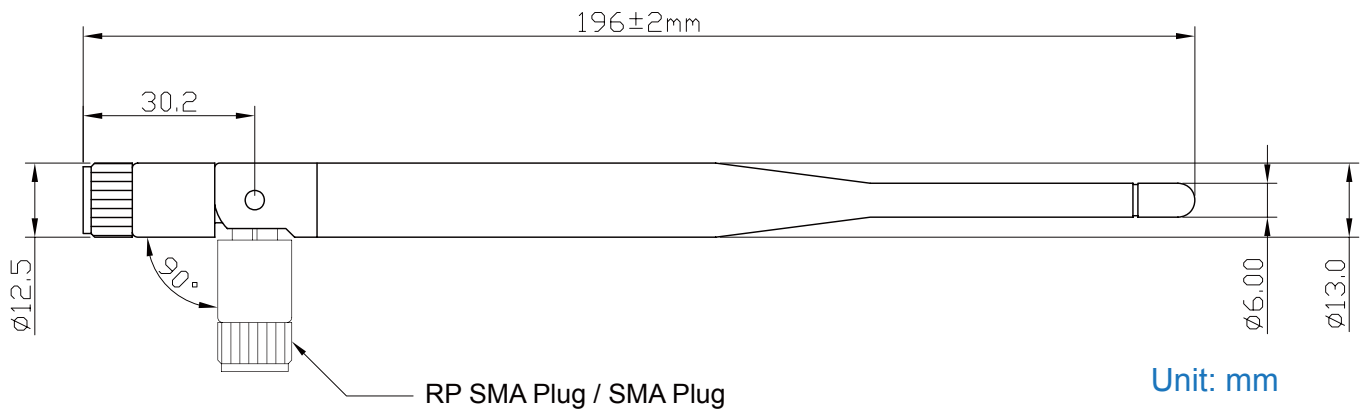
Swivel type

P/N AR006WSW0319N (RP-SMA Plug)

P/N AR006WSW0301N (SMA Plug)



Structure Figure



Mechanical

Antenna Cover	TPEE (Black)
Antenna Base	PC + PBT (Black)
Operating Temperature	-20°C~+65°C
Storage Temperature	-30°C~+75°C
Connector	RP-SMA Plug (19N) SMA Plug (01N)
Cable Type	RG316

Electrical

Frequency Range	2.4/5.8 GHz
Impedance	50 Ω
Return Loss	-15.8 dB @ 2.4 Ghz -16.4 dB @ 5.8 GHz
Certain direction	Omni
V.S.W.R	< 2.0 : 1

Test results

Return Loss

