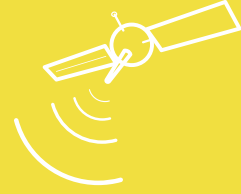




Wellshow
Always Innovation



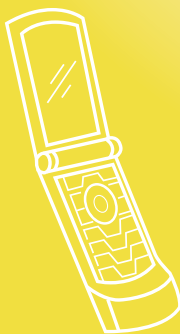
047



PRODUCT SPECIFICATION

AR017 WLAN 2.4/5.8GHz Antenna

Product No. AR017WSW0319N (RP-SMA Plug)
AR017WSW0301N (SMA Plug)



RF Connector, RF Cable & Antenna Manufacturer

E-mail: sales@wellshow.com.tw
Tel: +886-2-24239376 Fax: +886-2-24260387
9F., No.181, Nanrong Rd., Ren-ai Dist., Keelung City 200, Taiwan (R.O.C.)

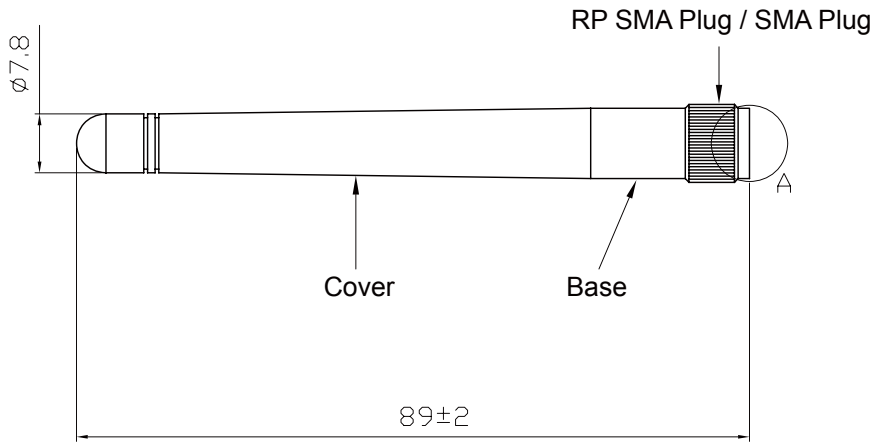


WLAN 2.4/5.8GHz Antenna

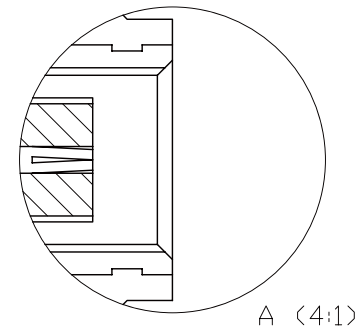
P/N AR017WSW0319N (RP-SMA Plug)
P/N AR017WSW0301N (SMA Plug)



Structure Figure



Unit: mm



Mechanical

Antenna Cover	TPEE (Black)
Antenna Base	PC (Black)
Operating Temperature	-20°C~+65°C
Storage Temperature	-30°C~+75°C
Connector	RP-SMA Plug (19N) SMA Plug (01N)
Cable Type	RG178

Electrical

Frequency Range	2.4/5.8 GHz
Impedance	50 Ω
Return Loss	-14.5 dB @ 2.4 Ghz -14.8 dB @ 5.8 GHz
Certain direction	Omni
V.S.W.R	< 2.0 :1

Test results

Return Loss

