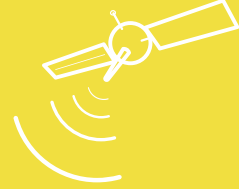




**Wellshow**  
Always Innovation



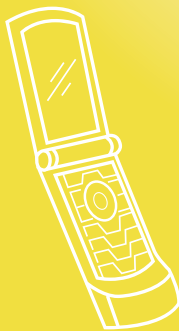
047



## PRODUCT SPECIFICATION

# I-PEX MHF Receptacle

P/N 20279-001E-01



RF Connector, RF Cable & Antenna Manufacturer

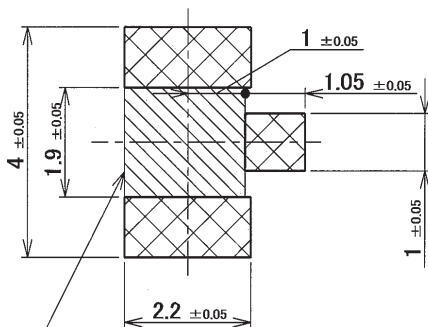
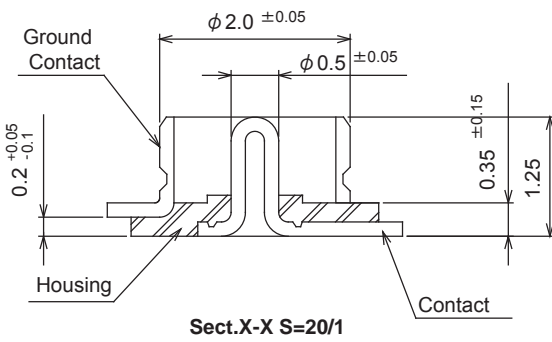
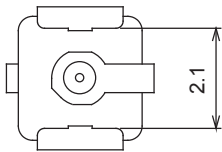
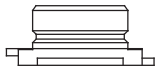
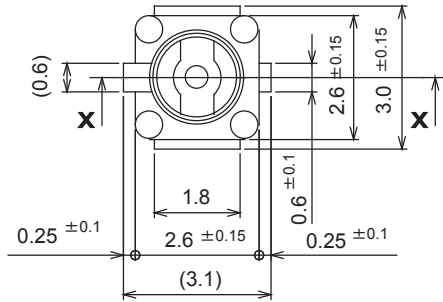
E-mail: [sales@wellshow.com.tw](mailto:sales@wellshow.com.tw)  
Tel: +886-2-24239376 Fax: +886-2-24260387  
9F., No.181, Nanrong Rd., Ren-ai Dist., Keelung City 200, Taiwan (R.O.C.)



# I-PEX MHF Receptacle

P/N 20279-001E-01

## Structure Figure



Cut out prohibition area

RECOMMENDED FOOTPRINT PATTERN



## Major Application

- Wireless LAN Antenna
- Cellular Phone
- Note Book Computer
- Game Equipment
- Digital Appliance
- Access Point

## Applicable Plug

Mating height 2.5mm MAX. at IPEX MHF Plug  
P/N 20278-1\*2R-\*\*  
P/N 20351-1\*2R-37

Mating height 2.0mm MAX. at IPEX MHF2 Plug  
P/N 20311-011R-08

Compatible to Hirose U.FL-LP-40/68/66/88

## Properties

Material	1. Housing: LCP, UL94V-0, white 2. Contact: brass Au 0.1μm Min. over Ni 1.27μm Min. 3. Ground contact: phosphor bronze Au 0.05μm Min. over Ni 1.27μm Min.
Coplanarity	0.1mm MAX.
Packing	emboss tape
This is 'Pb-free' connector. RoHs compliant.	