

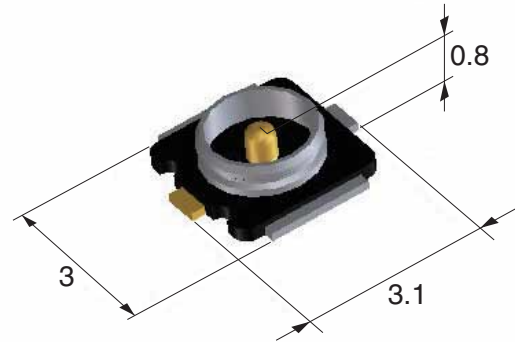
Lightweight SMT Miniature Coaxial Connectors – 1.4 mm Mated Height

N.FL Series



Up to 6 GHz Transmission Speed

●Occupied Mounting Area



■Features

1. Low profile

Nominal mated height is 1.4 mm (Max. 1.5 mm)

2. Small size: 7.7 mm²

3. Light weight

Receptacle : 14 mg
 Plug : 28 mg

4. Accepts high frequency transmission of DC to 6 GHz.

V.S.W.R. = 1.3 max. (DC to 6 GHz)

5. Board placement with automatic equipment

Receptacles are packaged in embossed carrier tape and reel for automatic mounting.

6. Plugs are terminated with ultra-fine coaxial (fluorinated resin insulated) cable.

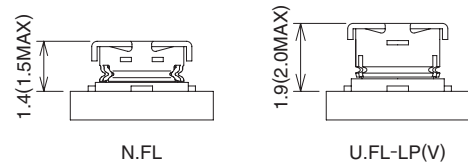
7. Special tool for an extraction

8. RoHS compliant

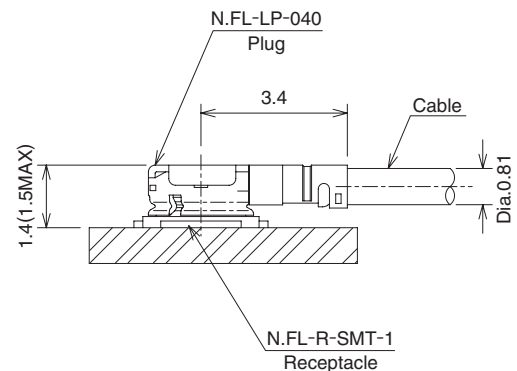
■Applications

Cellular phones, PHS, mobile phones, wireless communication devices, electronic measuring instruments, GPS, wireless LAN, Bluetooth and any application requiring high frequency transmission using small coaxial connectors.

●Mated height comparison (With U.FL-LP(V))



●N.FL Plug and Receptacle



Wellshow



Wellshow Technology is the top manufacturer of mini coaxial cable assembly and RF connectors in Asia.



Wellshow's strength

- Quick Lead Time
- Competitive price
- Complete quality management
- Full series of RF connectors
- Prompt technique support
- Systemized manufacturing procedure



Product Range

Mini connector and Mini cable

Hirose U.FL/ W.FL/ H.FL/ N.FL/ E.FL/ W.FL2
IPEX MHF/ MHF 2 / MHF 3/ MHF 4
Murata GSC/ HSC

RF connector and RF cable

SMA / SMB / SSMB / SMC / MMCX /
MCX / FME / BNC / TNC / N ...etc.



Contact us

Tel: +886-2-24270488
Fax: +886-2-24260387

9F., No.181, Nanrong Rd., Ren-ai Dist.
Keelung City 200, Taiwan

N.F.L Series ● Lightweight SMT Miniature Coaxial Connectors – 1.4 mm Mated Height

■ Specifications

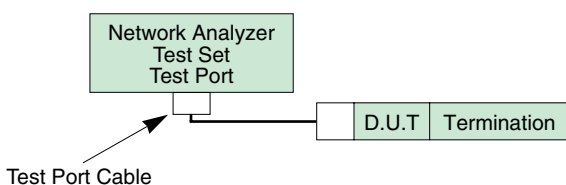
Ratings	Nominal characteristic impedance	50 ohms	Operating temperature range	-40°C to +90°C (90% RH)
	Frequency range	DC to 6 GHz	Storage temperature range	-30°C to +70°C (90% RH)

Item	Specification	Conditions
1. Contact resistance	Center contact: 25 m ohms max. Outer contact: 25 m ohms max.	10 mA max.
2. Insulation resistance	500 M ohms min.	100V DC
3. Withstanding voltage	No flashover or insulation breakdown	200V AC / 1 minute
4. V.S.W.R.(Note)	1.3max.	DC to 6GHz
5. Durability	Contact resistance Center contact: 30 m ohms max. Outer contact: 30 m ohms max. No damage, cracks, or parts dislocation	20 cycles
6. Vibration	No electrical discontinuity of 1 μ s or longer No damage, cracks, or parts dislocation	Frequency: 10 to 100 Hz, single amplitude of 1.5 mm Acceleration: 59 m/s ² , in each of 3 axis 5 cycles
7. Shock	No electrical discontinuity of 1 μ s or longer No damage, cracks, or parts dislocation	Acceleration of 735 m/s ² , 11 ms continuous time Waveform: sine half-wave, 3 cycles in each of the 3 axis
8. Humidity	Insulation resistance: 100 M ohms min. (high humidity) Insulation resistance: 500 M ohms min. (dry) No damage, cracks, or parts dislocation	96 hours at +40°C, and humidity of 95%
9. Temperature cycle	No damage, cracks, or parts dislocation	Temperature:-40°C→+5°C to +35°C→+90°C→+5°C to +35°C Time: 30 min.→ 5 min. max. → 30 min. → 5 min. max. 5 cycles
10. Salt spray test	No excessive corrosion	5% salt water solution, 48 hours

Note: Information contained in this catalog represents general requirements for this Series. Contact us for the drawings and specifications for a specific part number shown.

* V.S.W.R. Measurement System

Measured as shown on the block diagram below.



Note1: A N.F.L Cable assembly (plug) is measured with SMA conversion adapters mated with N.F.L plugs at both ends of a 100cm coaxial cable harness

Note2: A N.F.L receptacle, which is mounted on a 50 ohms glass epoxy board, is measured with a SMA conversion adapter.

■ Materials / Finishes

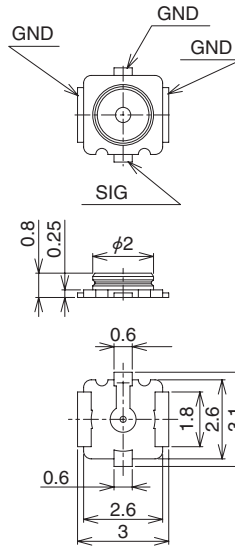
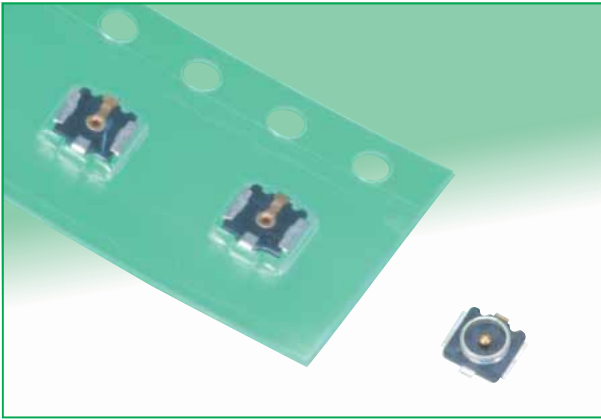
● Plug

Part	Material	Finish	Remarks
Shell	Phosphor bronze	Silver plated	—
Female center contact	Phosphor bronze	Gold plated	—
Insulator	PBT	Color: Black	UL94V-0

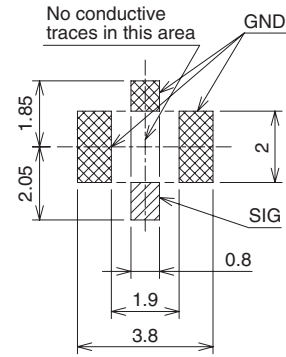
● Receptacle

Part	Material	Finish	Remarks
Shell	Phosphor bronze	Silver plated	—
Male center contact	Brass	Gold plated	—
Insulator	LCP	Color: Black	UL94V-0

■ Receptacle



◆ Recommended PCB mounting pattern



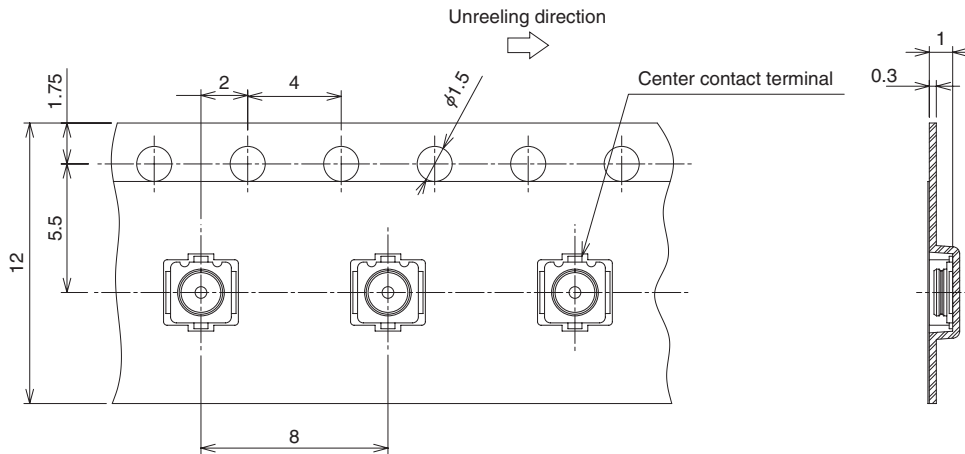
Recommended screen thickness: 0.1mm to 0.12mm

All dimensions: mm

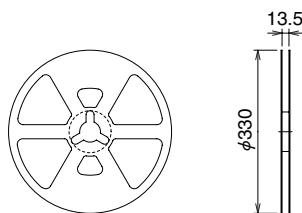
Part Number	CL No.	Packaging	Weight/EA	RoHS
N.FL-R-SMT-1(01)	331-0332-3-01	Bag (100 pieces per bag)	14 mg	YES
N.FL-R-SMT-1(10)	331-0332-3-10	Reel (2,000 pieces per reel)		
N.FL-R-SMT-1(40)	331-0332-3-40	Reel (5,000 pieces per reel)		

● Packaging Specifications

Embossed Carrier Tape Dimensions



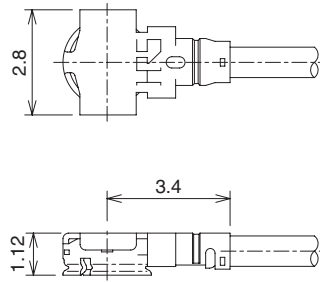
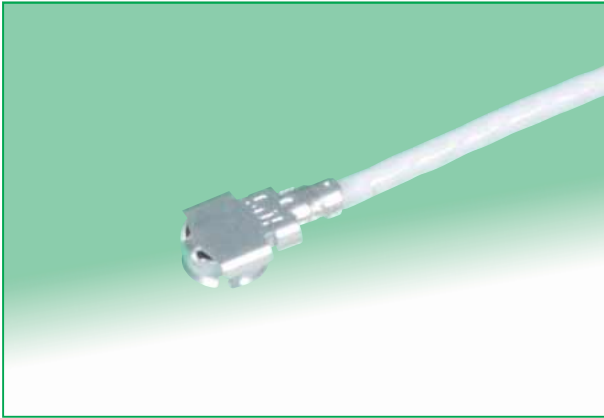
Reel Dimensions



Reel material: Plastic

All dimensions: mm

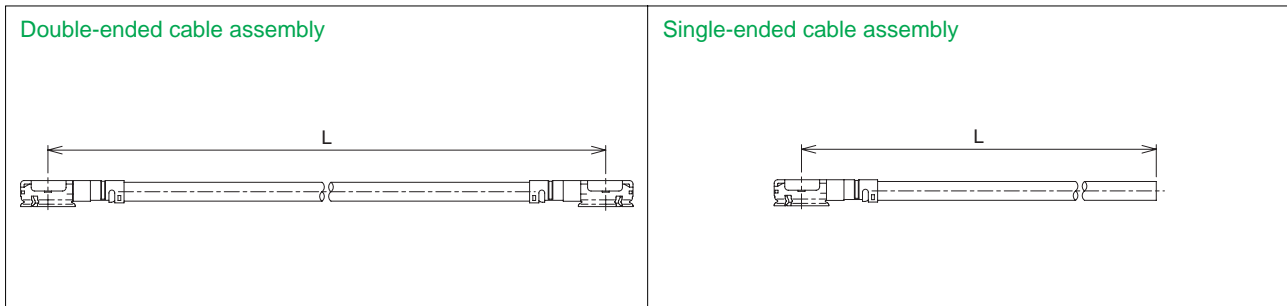
■ Plug Assembly (Plug)



Plugs can be ordered only as terminated cable assemblies.

All dimensions: mm

■ How to Specify Plug Cable Assembly



● Ordering Information

N.F.L – **[] LP** – **04N** **[]** – **A** – **(L)**

① ② ③ ④ ⑤

① Series name	N.F.L
② Assembly type	LP : Single ended 2LP : Double ended
③ Cable type	04N : Dia. 0.81mm ultra-fine coaxial cable
④ Cable color	1: White, 2: Black
⑤ Total length (mm)	Length (L)

● Standard tolerances for (L)

(L)	Standard Tolerance
L=35 mm to 200 mm	±4 mm (Note 1)
L=200 mm to 500 mm	±8 mm
L=500 mm to 1000 mm	±12 mm
L= Longer than 1000 mm	±1.5% of (L)

Note1: Minimum available length (L) is 35mm

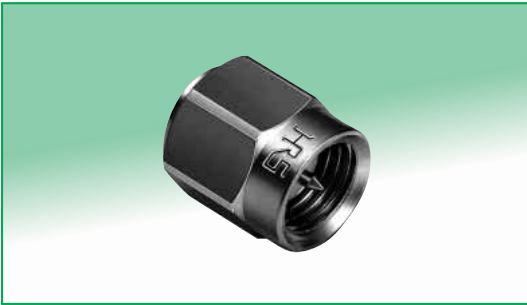
Note2: Contact nearest HRS representative if different tolerances are required.

Note3: Contact Nearest HRS representative if one end requires preparation.

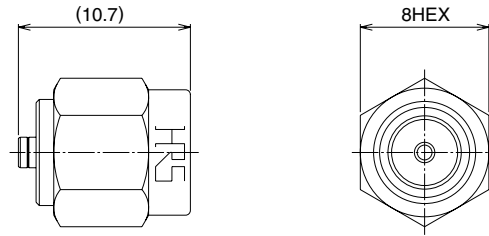
Part No. of Cable Assembly	Description	RoHS
N.F.L-2LP-04N1-A-(L)	Dia. 0.81mm double ended coaxial cable, color: white	YES

■ Conversion Adapters

● SMA Conversion Adapter (N.FL / U.FL side jack - SMA side plug)



Note: The U.FL side mating portions has a lower lock retention force than the regular product, therefore, cannot be used for purposes other than performance measurements.



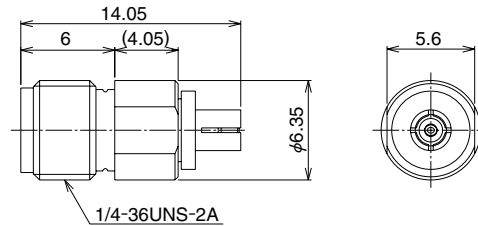
All dimensions: mm

Part Number	CL No.	RoHS
HRMP-U.FLJ(40)	311-0301-5-40	YES

● SMA Conversion Adapter (N.FL / U.FL side jack - SMA side jack)



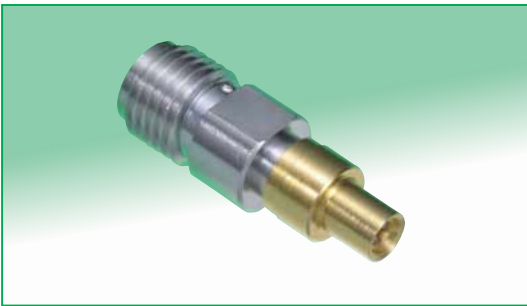
Note: The U.FL side mating portions has a lower lock retention force than the regular product, therefore, cannot be used for purposes other than performance measurements.



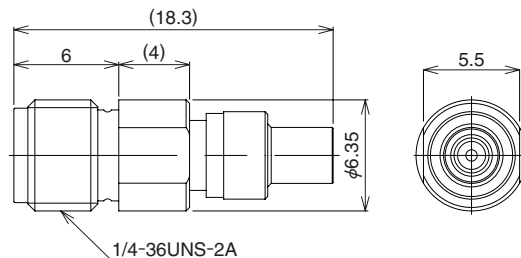
All dimensions: mm

Part Number	CL No.	RoHS
HRMJ-U.FLP(40)	311-0300-2-40	YES

● SMA Conversion Adapter



Note: When mating with corresponding part (N.FL-SMT-1) must be pressed down and held to make complete connection.

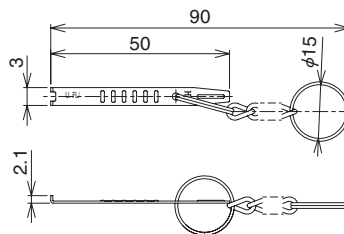


All dimensions: mm

Part Number	CL No.	RoHS
HRMJ-N.FLP-ST5	311-0423-2	YES

■ Plug extraction tool

This jig is used for extraction from a mating condition.



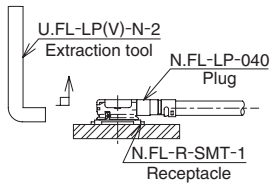
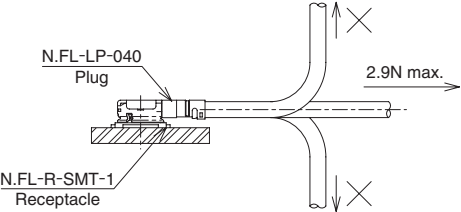
All dimensions: mm

Part Number	CL No.	RoHS
U.FL-LP(V)-N-2	331-0493-2	YES

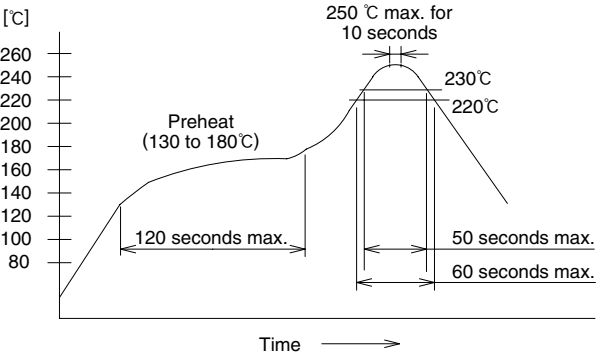
N.F.L Series Lightweight SMT Miniature Coaxial Connectors – 1.4 mm Mated Height

Usage Precautions

1. Plug

<p>(1) Mating / unmating</p>	<ul style="list-style-type: none"> • Unmating Insert the end of an extraction tool into a space between a plug and receptacle, and pull up the tool in the perpendicular to a mounting surface of a receptacle, as shown in the figure. <ul style="list-style-type: none"> ● Recommended the use of the extraction tool for unmating. Any attempt of unmating by pulling on the cable may result in damage to the mechanical / electrical performance. • Mating Do not attempt to insert on an extreme angle. 
<p>(2) Pull forces on the cable after connectors are mated</p>	<p>Do NOT apply any pull forces after the bending of the cable.</p> 
<p>(3) Precautions</p>	<p>Do not twist connectors excessively during mating / unmating.</p>

2. Receptacle

<p>(1) Recommended reflow temperature profile</p>	 <p>① The temperature profile indicates the board surface temperature at the point of contacts with the connector leads. ② In individual applications the actual temperature may vary, depending on the solder paste type, volume / thickness and board size / thickness. Consult your solder paste and equipment manufacturer for the detailed recommendations.</p>
<p>(2) Manual soldering</p>	<p>Soldering iron temperature: 350°C, Soldering time: for 5 seconds max.</p>
<p>(3) Recommended metal mask thickness</p>	<p>0.1 mm to 0.12 mm</p>
<p>(4) Reflow cycles</p>	<p>2 times</p>

3. Operating environment and storage conditions

<p>(1) Operating environment</p>	<p>The connectors are NOT designed to operate in the following environments:</p> <ul style="list-style-type: none"> • Exposed to a excessive amounts of fine particles and dust • Regions and places having a high density of sulfur dioxide, hydrogen sulfide, nitrogen dioxide or other corrosive gasses. • Environments having large rapid variations in temperature.
<p>(2) Storage conditions - Receptacle</p>	<p>Store in the Hirose Electric packaging. Temperature: -10 to +40°C, Humidity: 85% max. Use within 6 months of delivery. Receptacles for which the storage period has elapsed must be tested for solderability to the PC board mounting surface.</p>



HIROSE ELECTRIC CO.,LTD.

5-23,OSAKI 5-CHOME,SHINAGAWA-KU,TOKYO 141-8587,JAPAN
 PHONE: 81-3-3491-9741, FAX: 81-3-3493-2933
<http://www.hirose.com>
<http://www.hirose-connectors.com>