

Microwave Coaxial Connectors



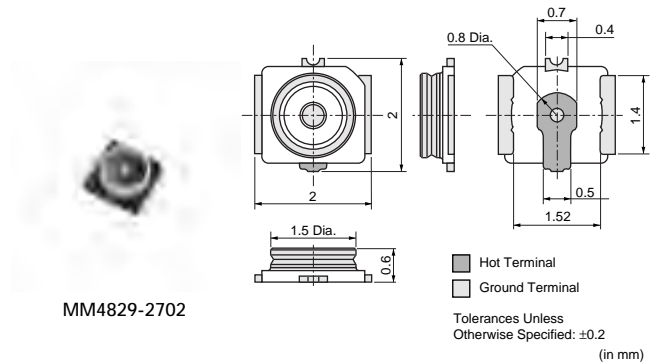
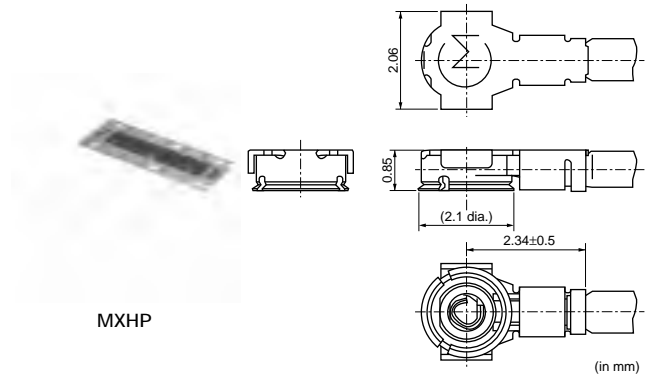
Ultra Miniature SMT HSC Type

■ Features

1. The mating height is only 1.2mm maximum by new mechanical design. Suitable for low profile design.
2. New mating mechanical design makes stable feeling connection.
3. Soft and ultra thin 0.81mm diameter flexible coaxial cables is available.
4. High performance with wide frequency range(DC to 6GHz). VSWR at 3GHz to 6GHz is 1.45 maximum.

■ Applications

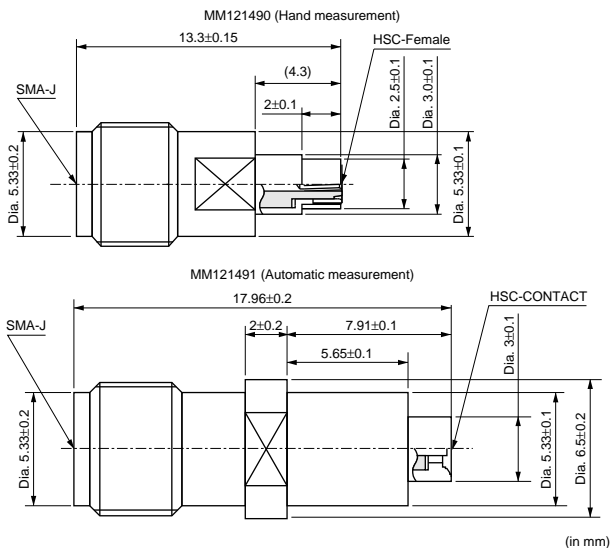
Portable telephone, cordless telephone(analog and digital), GPS, and other microwave radio and measurement equipment.



Part Number	Rated Voltage (V)	Contact Resistance (max.) (ohm)	Withstanding Voltage (rms)	Insulation Resistance (min.) (M ohm)	Durability (cycles)	Frequency Rating (GHz)	Temperature Range (degree C)	VSWR	Center Contact	Outer Contact	Insulator
MM4829-2702	250	0.020	300 (AC)	500	30	to 6.0	-40 to +85	1.3 max. (DC to 3GHz)	Copper Alloy Gold plated	Copper Alloy Silver plated	Engineering plastic

Impedance: 50ohm

■ Measurement Adapter Dimensions (for Receptacle)



Wellshow



Wellshow Technology is the top manufacturer of mini coaxial cable assembly and RF connectors in Asia.



Wellshow's strength

- Quick Lead Time
- Competitive price
- Complete quality management
- Full series of RF connectors
- Prompt technique support
- Systemized manufacturing procedure



Product Range

Mini connector and Mini cable

Hirose U.FL/ W.FL/ H.FL/ N.FL/ E.FL/ W.FL2
IPEX MHF/ MHF 2 / MHF 3/ MHF 4
Murata GSC/ HSC

RF connector and RF cable

SMA / SMB / SSMB / SMC / MMCX /
MCX / FME / BNC / TNC / N ...etc.



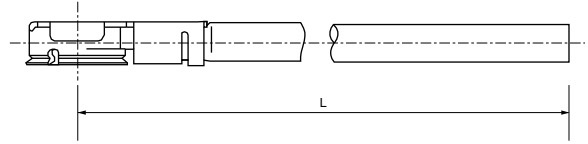
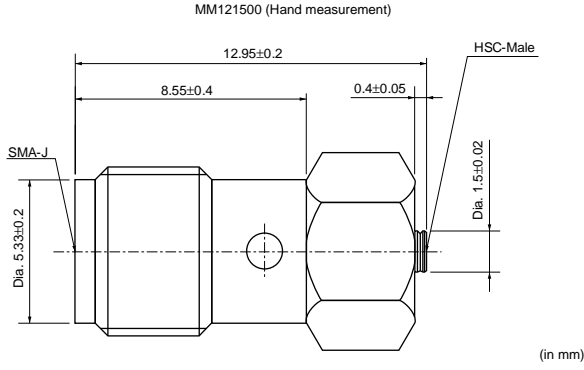
Contact us

Tel: +886-2-24270488
Fax: +886-2-24260387

9F., No.181, Nanrong Rd., Ren-ai Dist.
Keelung City 200, Taiwan

■ Measurement Adapter Dimensions (for Cable Assembly)

■ Cable Length Tolerance

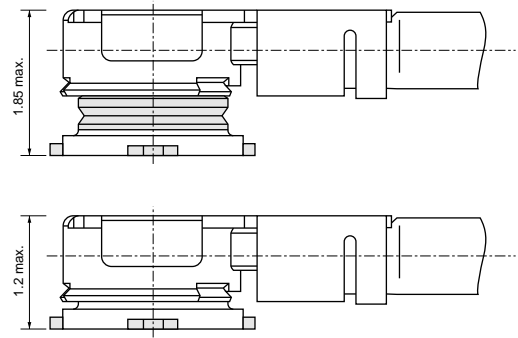
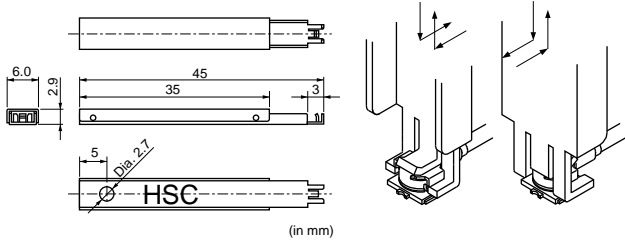


Cable Length L (mm)		Dimensional Tolerance (mm)
Over	Less than	
20	100	±3
100	500	±4
500	1000	±10
1000	-	+2% of L -0% of L

3

■ Disengagement Tool (Part Number: M19100)

■ Profile Dimensions



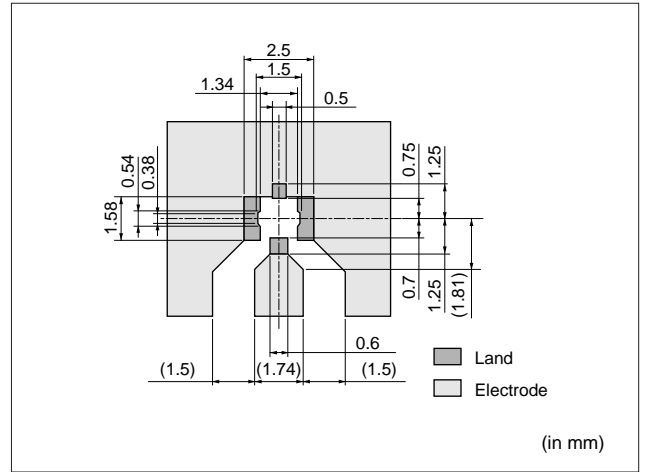
Continued on the following page. ↗

Continued from the preceding page.

Land Pattern Dimensions

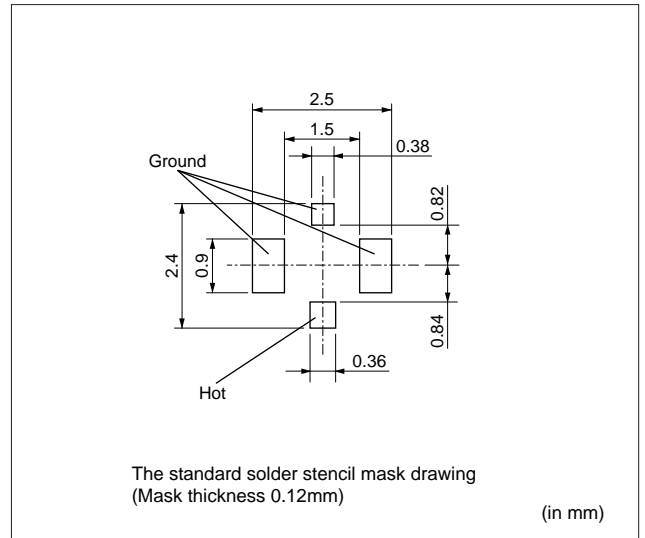
1. Standard pattern dimensions

- I/O pattern should be designed to match 50 ohm impedance circuit.
- Typical PCB material is glass epoxy ($\epsilon_r=4.8$). Thickness is 1.0mm.
- The solder resist should be printed except for the land pattern on the PCB.



2. Standard solder stencil mask pattern

Follow Standard solder stencil mask pattern to avoid the possibility of solder being trapped under connector.



Notice

■ Notice (Storage and Operation Condition)

1. Environment Conditions

- (1) This product is designed for use in electrical equipment in the environment (temperature, humidity, atmospheric pressure, etc.) specified in this approval drawing. It may not be used in the following environments or under the following conditions:
- (a) Ambient air containing corrosive gas (Chlorine gas, Hydrogen sulfide gas, Ammonia gas, Sulfuric acid gas, Nitric oxide gas, etc.)
 - (b) Ambient air containing volatile or combustible gas
 - (c) In liquid (water, oil, chemical solution, organic solvents, etc.)
 - (d) In environments with a high concentration of airborne particles
 - (e) In direct sunlight
 - (f) Dusty conditions
 - (g) In freezing
 - (h) Other environments similar to the above conditions
- (2) Contact the manufacturer before using the product in any of the above environments or under any of the above conditions.

2. Storage

Store in manufacturer's package or tightly re-closed box with the following conditions. Use this product within 6 months after receipt. Check the terminal solderability before use if the product has been stored for more than 6 months.

Temperature: -10 to +40 degree C
Humidity: 15 to 85% RH

Notice

■ **Notice (Soldering and Mounting)**

1. **Reflow soldering**

Soldering must be carried out without exceeding the allowable soldering temperature and time shown within the shaded area of Figure "Allowable Temperature and Time of Reflow Soldering".

In case the soldering is repeated, the maximum time in Figure "Allowable Temperature and Time of Reflow Soldering" should be accumulated time. The standard soldering conditions are shown in Figure "Reflow Soldering Standard Conditions".

Use the Pattern and Metal mask pattern is illustrated in details.

Follow standard solder stencil mask pattern to avoid the possibility of solder being trapped under connector.

2. **Soldering by soldering iron**

Soldering by soldering iron should be carried out in accordance to the following conditions.

Pre-heating	Temperature	150°C
	Time	60 to 120 s.
Soldering	Temperature (at the tip of the soldering iron) less than	350°C
	Time	less than 3 s.

3. We cannot warrant against mishaps caused by any use of this product that deviates from allowable temperature and time of reflow soldering.

4. In soldering, do not apply excessive mechanical force to terminals or leads greater than specified in the drawing.

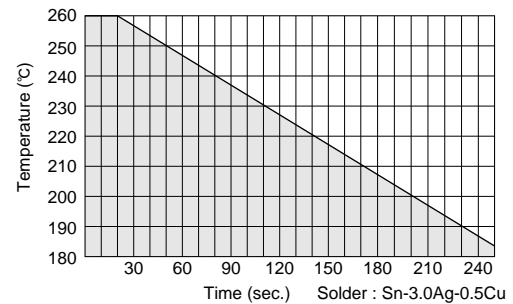
5. Please note the following in case of soldering terminals or leads of the product.

- (1) Use Rosin based flux, but not with strong acid flux (Chlorine content should be less than 0.20wt%).
- (2) Flux should be thoroughly cleaned from connector to prevent possible deterioration of electrical characteristics.

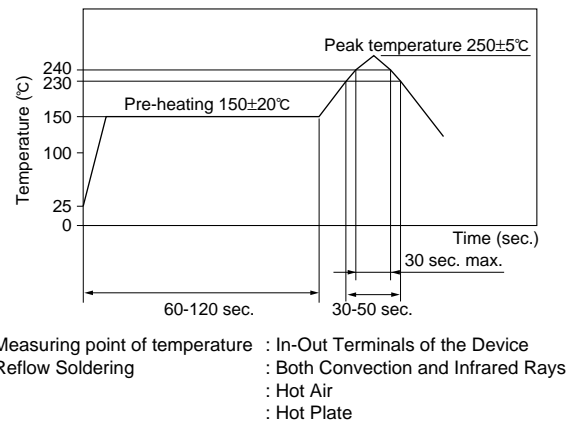
6. Please mount this product at the position so that stress by wrap and/or bend of the PCB may not apply to it.

7. Please dry out this product immediately after soldering and cleaning.

Allowable Temperature and Time of Reflow Soldering



Reflow Soldering Standard Conditions



Continued on the following page. ↗