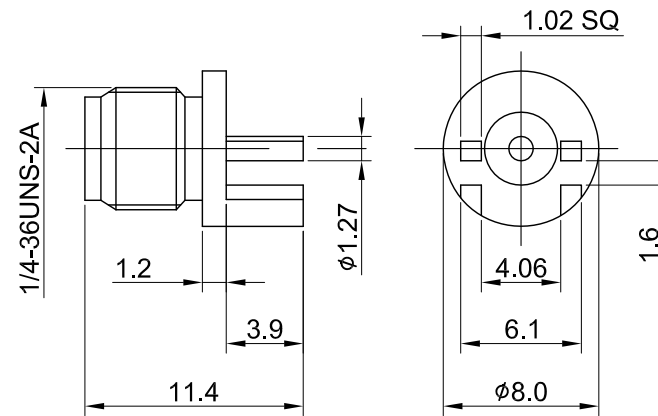


REV	DESCRIPTION	DATE
A	INITIAL DESIGN	2009/06/10
1.10	NEW DRAWING FRAME	2024/01/05



MECHANICAL DATA
 DURABILITY : 500 CYCLES
 TEMPERATURE RANGE : -65°C ~ + 165°C

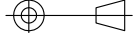
ELECTRICAL DATA
 FREQUENCY RANGE: DC~6GHz
 IMPEDANCE : 50Ω
 VSWR : 1.3 MAX.
 WORKING VOLTAGE : AC 500V
 WITHSTANDING VOLTAGE : AC 1000V
 INSULATION RESISTANCE : 5000 MΩ MIN

TITLE	SMA(F) st. edge mount for PCB (1.6)
-------	-------------------------------------

DWG NO.	C02AJ31P00121B	
---------	----------------	---

NO	DESCRIPTION	MATERIAL	FINISH	Q'TY
03	CENTER PIN	Be.Cu	GOLD	1
02	INSULATOR	TEFLON	NONE	1
01	BODY	BRASS	GOLD	1

CUST. P/N:	N/A
DWG NO:	N/A
SHEET	1 of 1
Unit:	mm

GENERAL TOLERANCES	DRAWN BY: Kelly	2024/01/05
.X ±0.2	CHK'D BY: Chilli	2024/01/05
.XX ±0.2		REV.
.XXX ±0.2		DA2312260011
ANGLES N/A		1.10