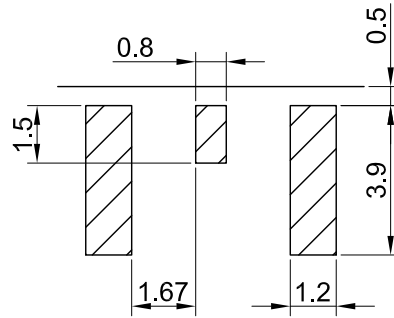
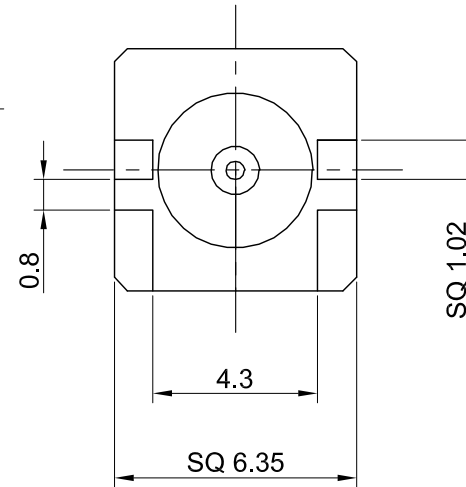
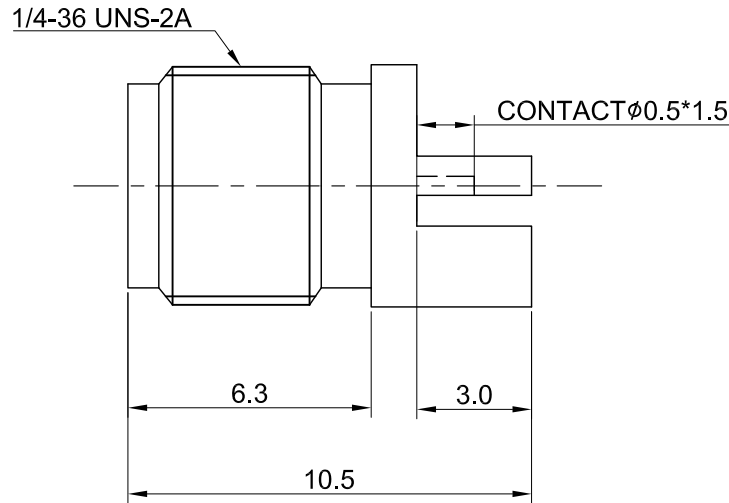


REV	DESCRIPTION	DATE
1.00	INITIAL DESIGN	2012/10/30
1.10	NEW DRAWING FRAME	2024/06/27
1.11	ADD VSWR/ RECOMMENDED PCB LAYOUT	2024/07/05



RECOMMENDED PCB LAYOUT



MECHANICAL DATA
 DURABILITY : 500 CYCLES
 TEMPERATURE RANGE : -65°C ~ + 165°C

ELECTRICAL DATA
 FREQUENCY RANGE: DC~18GHz
 IMPEDANCE : 50Ω
 VSWR : 1.3 MAX.
 WORKING VOLTAGE : AC 500V
 WITHSTANDING VOLTAGE : AC 1000V
 INSULATION RESISTANCE : 5000 MΩ MIN

TITLE
 SMA(F) st. edge mount 6.35x6.35mm 18GHz (for PCB thickness 0.8mm)

DWG NO.
 C02AJ3159-1



03	CENTER PIN	Be.Cu	GOLD	1
02	INSULATOR	TEFLON	NONE	1
01	BODY	BRASS	GOLD	1
NO	DESCRIPTION	MATERIAL	FINISH	Q'TY

CUST. P/N: N/A
 DWG NO: N/A
 SHEET 1 of 1 Unit: mm

GENERAL TOLERANCES		DRAWN BY: Kelly 2024/07/05	
.X	±0.2	CHK'D BY: Chili	2024/07/05
.XX	±0.2		
.XXX	±0.2		
ANGLES	N/A		
		DA2407050006	REV. 1.11