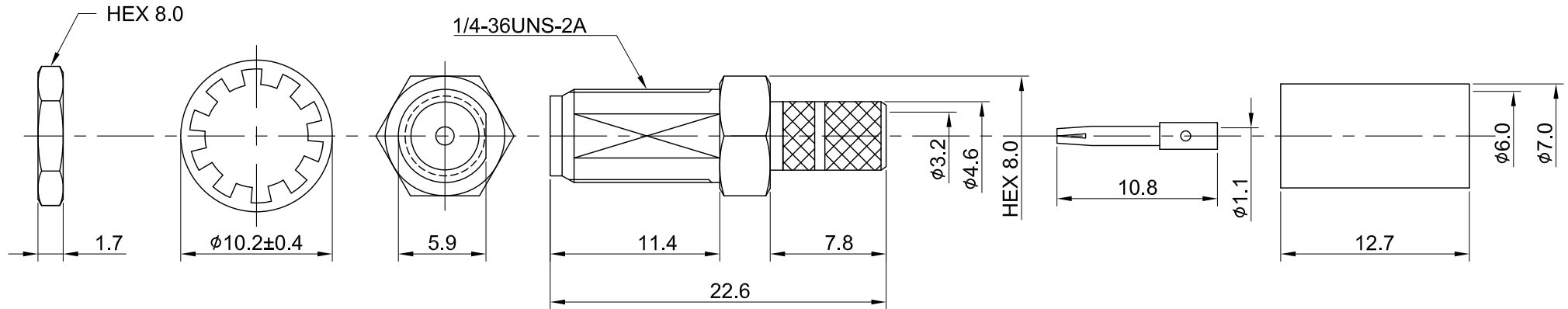
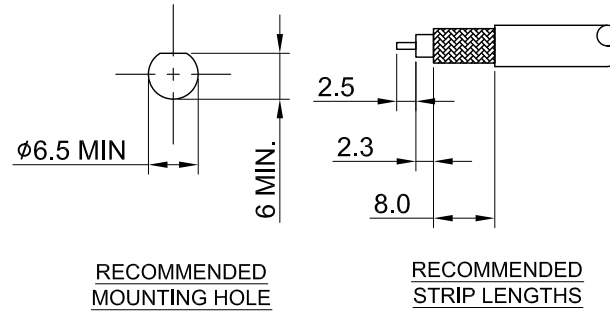


REV	DESCRIPTION	DATE
1.00	INITIAL DESIGN	2010/05/27
1.10	NEW DRAWING FRAME	2024/01/17



MECHANICAL DATA  
 DURABILITY : 500 CYCLES  
 TEMPERATURE RANGE : -65°C ~ + 165°C

ELECTRICAL DATA  
 FREQUENCY RANGE: DC ~ 6GHz  
 IMPEDANCE : 50Ω  
 VSWR : 1.3 MAX.  
 WORKING VOLTAGE : AC 500V  
 WITHSTANDING VOLTAGE : AC 1000V  
 INSULATION RESISTANCE : 5000 MΩ MIN

06	WASHER	BRASS	GOLD	1
05	NUT	BRASS	GOLD	1
04	FERRULE	BRASS	GOLD	1
03	INSULATOR	TEFLON	NONE	1
02	PIN	Be Cu	GOLD	1
01	BODY	BRASS	GOLD	1
NO	DESCRIPTION	MATERIAL	FINISH	Q'TY

TITLE		DRAWN BY:		CHK'D BY:		REVISION	
SMA(F) bh. crimp for RG223		Lottie	2024/01/17	Una	2024/01/17	REV. 1.10	
DWG NO. C02AB31223003C		DRAWN BY: Lottie 2024/01/17		CHK'D BY: Una 2024/01/17		REV. 1.10	
CUST. P/N: N/A DWG NO: N/A		DRAWN BY: Lottie 2024/01/17		CHK'D BY: Una 2024/01/17		REV. 1.10	
SHEET 1 of 1		Unit: mm		DA2401020006		1.10	

GENERAL TOLERANCES

.X ±0.2

.XX ±0.2

.XXX ±0.2

ANGLES N/A