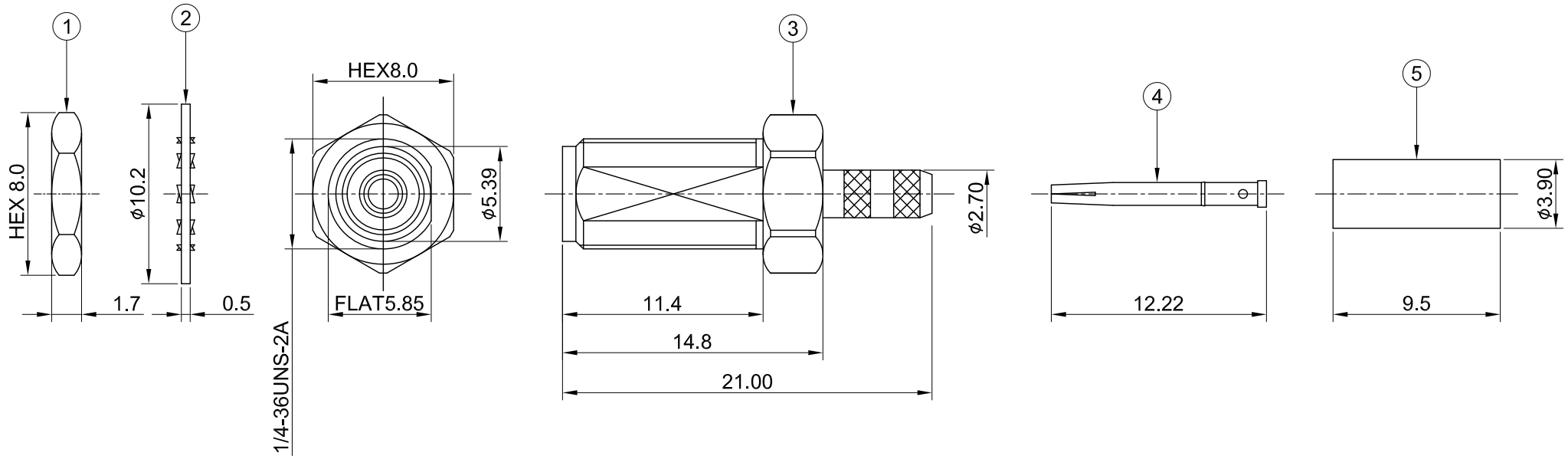
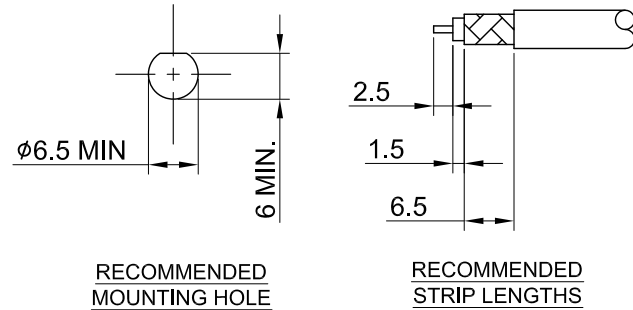


REV	DESCRIPTION	DATE
2.20	NEW DRAWING FRAME	2023/06/12



MECHANICAL DATA
 DURABILITY : 100 CYCLES
 TEMPERATURE RANGE : -65°C ~ + 165°C

DIELECTRICAL DATA
 FREQUENCY RANGE: DC~3GHZ
 IMPEDANCE : 50Ω
 VSWR : 1.3 MAX.

05	FERRULE	BRASS	GOLD	1
04	PIN	P.BRONZE	GOLD	1
03	INSULATOR	TEFLON	NONE	1
	BODY	BRASS	GOLD	1
02	WASHER	BRASS	GOLD	1
01	NUT	BRASS	GOLD	1
NO	DESCRIPTION	MATERIAL	FINISH	Q'TY

TITLE		SMA(F) bh., crimp type for RG174	
DWG NO.		C02ABWS174003C	
CUST.		N/A	
P/N:		N/A	
DWG NO:		N/A	
SHEET 1 of 1		Unit: mm	
GENERAL TOLERANCES .X ±0.2 .XX ±0.2 .XXX ±0.2 ANGLES N/A		DRAWN BY: Kelly 2023/06/12 CHK'D BY: Eileen 2023/06/12 REV. 2.20 DA2306090042	

