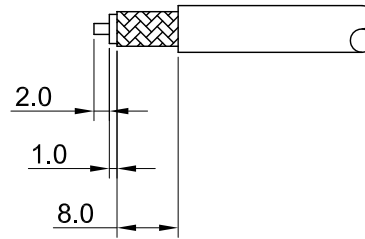
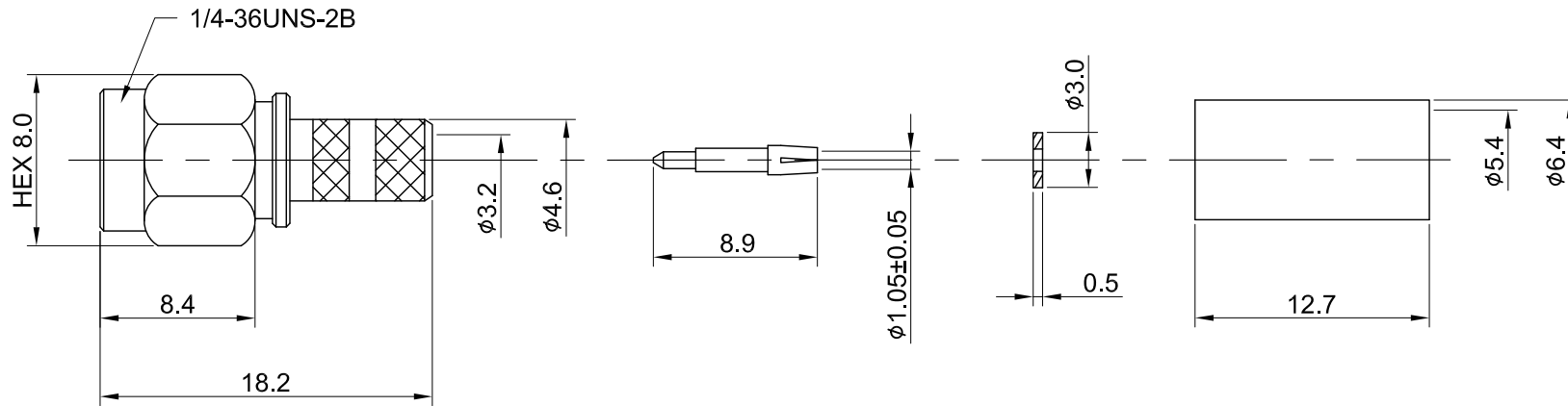


REV	DESCRIPTION	DATE
2.22	CORRECT MATERIAL SILICON RUBBER	2021/02/24
2.30	CHG $\phi 3.2$ W. $\phi 3.1$	2023/05/05
2.31	CORRECT INSULATION RESISTANCE	2024/01/05



RECOMMENDED STRIP LENGTHS



MECHANICAL DATA
TEMPERATURE RANGE : -65°C ~ + 165°C

DIELECTRICAL DATA
FREQUENCY RANGE: DC~6GHZ
IMPEDANCE : 50Ω
VSWR : 1.3 MAX.
WORKING VOLTAGE : AC 500V
WITHSTANDING VOLTAGE : AC 1000V
INSULATION RESISTANCE : 5000 MΩ MIN

07	INSULATOR B	TEFLON	NONE	1
06	FERRULE	BRASS	GOLD	1
05	INNER RETAINING RING	Be Cu	NONE	1
04	GASKET	SILICONE RUBBER	NONE	1
03	INSULATOR A	TEFLON	NONE	1
02	PIN	Be Cu	GOLD	1
01	BODY	BRASS	GOLD	1
NO	DESCRIPTION	MATERIAL	FINISH	Q'TY

TITLE		DRAWN BY:	
SMA(M) St. crimp for LMR200		Lottie	2024/01/05
DWG NO. C01AA31L20004A		CHK'D BY:	Kelly 2024/01/05
CUST. P/N: N/A DWG NO: N/A			
SHEET 1 of 1		GENERAL TOLERANCES .X ±0.2 .XX ±0.2 .XXX ±0.2 ANGLES N/A	
Unit: mm		DA2312220012 REV. 2.31	