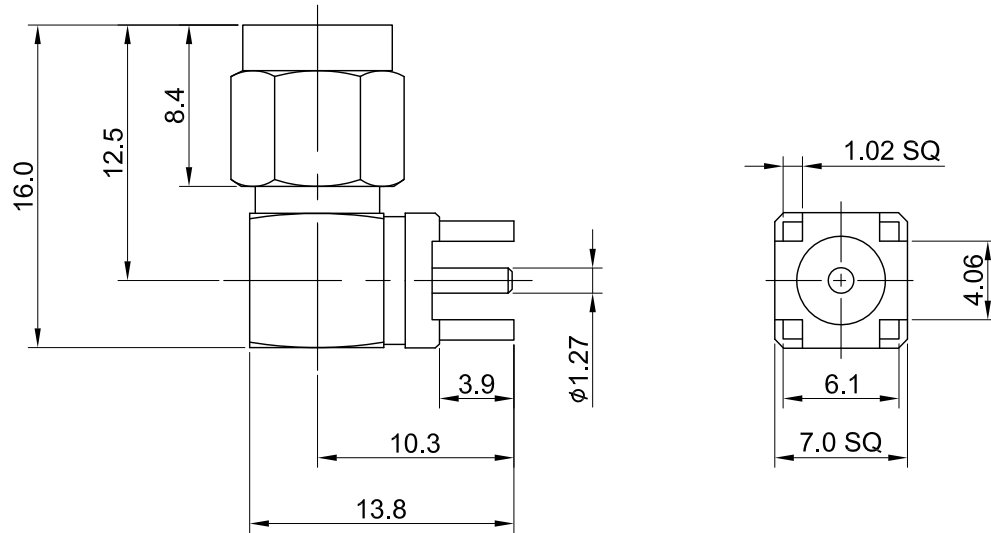
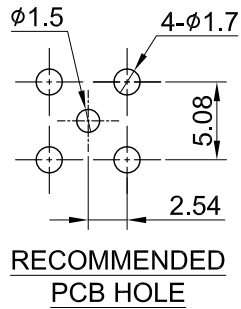


REV	DESCRIPTION	DATE
2.20	Corrected full material name silicon rubber, 6.1 dimension position	2020/12/21
2.30	NEW DRAWING FRAME	2023/12/27



MECHANICAL DATA
TEMPERATURE RANGE : -65°C ~ + 165°C

ELECTRICAL DATA
FREQUENCY RANGE: DC ~ 6GHz
IMPEDANCE : 50Ω
VSWR : 1.5 MAX.
WORKING VOLTAGE : AC 500V
WITHSTANDING VOLTAGE : AC 1000V
INSULATION RESISTANCE : 5000 MΩ MIN

05	RING	Be.Cu	GOLD	1
04	O RING	SILICONE RUBBER	NONE	1
03	INSULATOR	TEFLON	NONE	1
02	PIN	BRASS	GOLD	1
01	BODY	BRASS	GOLD	1
NO	DESCRIPTION	MATERIAL	FINISH	Q'TY

TITLE

SMA R/A Plug PCB Type

DWG NO.

C01BN31P00123

CUST.

P/N: N/A

DWG NO: N/A

SHEET 1 of 1

Unit: mm

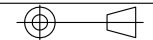


GENERAL TOLERANCES

.X ±0.2
.XX ±0.2
.XXX ±0.2
ANGLES N/A

DRAWN BY: Lottie 2023/12/27

CHK'D BY: Una 2023/12/27



DA2312200003

REV.

2.30