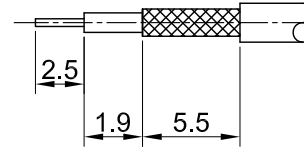
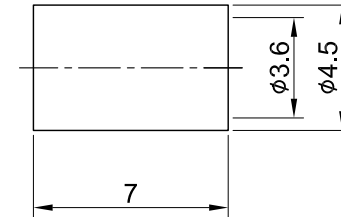
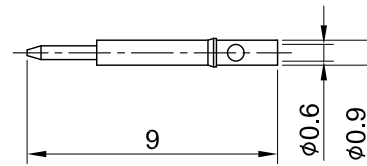
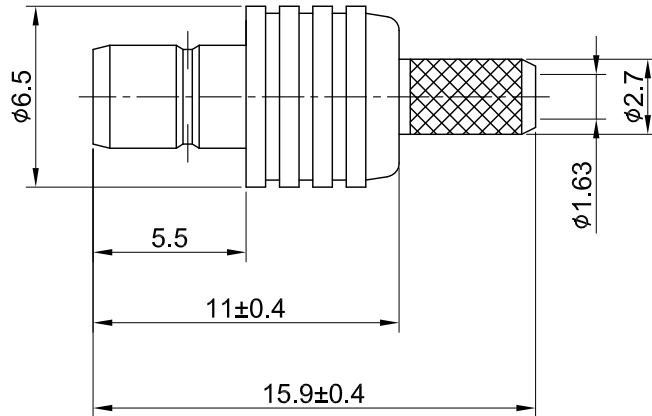


REV	DESCRIPTION	DATE
1.10	NEW DRAWING FRAME	2023/08/01
1.20	CORRECT INSULATION RESISTANCE	2023/11/06




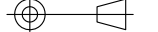
RECOMMENDED STRIP LENGTHS



MECHANICAL DATA
TEMPERATURE RANGE : -65°C ~ + 165°C

ELECTRICAL DATA
FREQUENCY RANGE: DC~4GHz
IMPEDANCE : 50Ω
VSWR : 1.5 MAX.
WORKING VOLTAGE : AC 335V
WITHSTANDING VOLTAGE : AC 750V
INSULATION RESISTANCE : 1000 MΩ MIN

05	FERRULE	BRASS	GOLD	1
04	BODY B	BRASS	GOLD	1
03	CENTER PIN	BRASS	GOLD	1
02	INSULATOR	TEFLON	NONE	1
01	BODY A	BRASS	GOLD	1
NO	DESCRIPTION	MATERIAL	FINISH	Q'TY

TITLE	
SMB(F) st. crimp for RD316	
DWG NO. C04AA3F316D08	
CUST. P/N: N/A DWG NO: N/A	
SHEET 1 of 1	Unit: mm
GENERAL TOLERANCES .X ±0.2 .XX ±0.2 .XXX ±0.2 ANGLES N/A	DRAWN BY: Lottie 2023/11/06 CHK'D BY: Kana 2023/11/06  DA2311010027 REV. 1.20