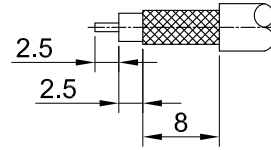
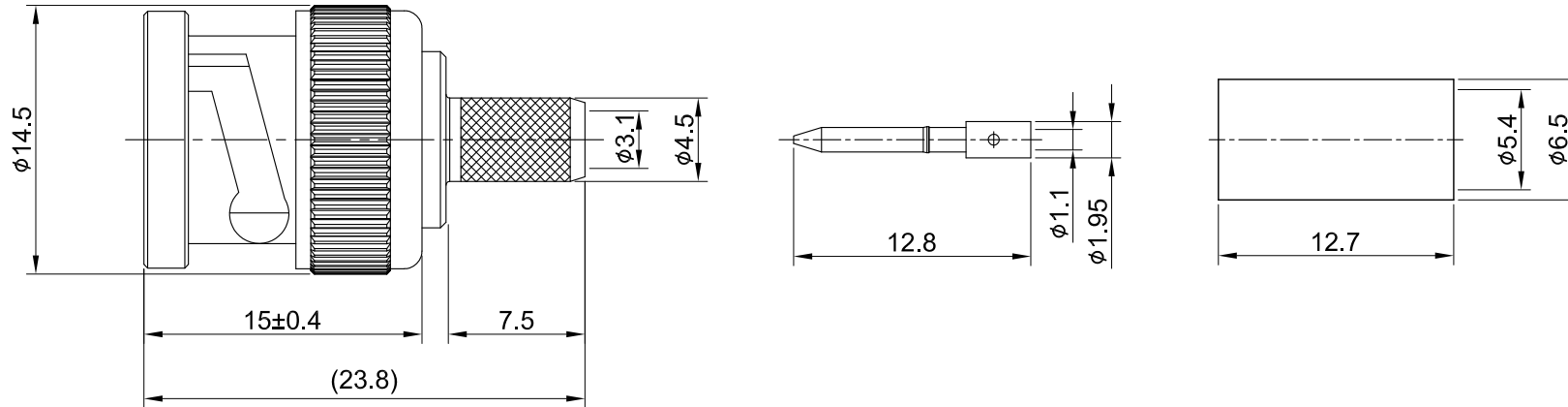


REV	DESCRIPTION	DATE
1.60	DESIGN CHANGES	2021/12/24
1.70	NEW DRAWING FRAME	2023/11/13



RECOMMENDED
STRIP LENGTHS



MECHANICAL DATA
TEMPERATURE RANGE : -65°C ~ + 165°C

ELECTRICAL DATA
FREQUENCY RANGE: DC~4GHz
IMPEDANCE : 50Ω
VSWR : 1.3 MAX.
WORKING VOLTAGE : AC 500V
WITHSTANDING VOLTAGE : AC 1500V
INSULATION RESISTANCE : 5000 MΩ MIN

09	FERRULE	BRASS	NICKEL	1
08	CENTER PIN	BRASS	GOLD	1
07	BODY	BRASS	NICKEL	1
06	INSULATOR	TEFLON	NONE	1
05	WASHER	STEEL	NICKEL	1
04	SPRING	SK-5	NICKEL	1
03	INNER RETAINING RING	STEEL	NICKEL	1
02	GASKET	SILICONE RUBBER	NONE	1
01	SHELL	BRASS	NICKEL	1
NO	DESCRIPTION	MATERIAL	FINISH	Q'TY

TITLE		BNC(M) st. crimp for RG58	
DWG NO.		C15CA3F058A01	
CUST. P/N: N/A		DWG NO: N/A	
SHEET 1 of 1		Unit: mm	
GENERAL TOLERANCES		DRAWN BY: Kelly 2023/11/13	
.X ±0.2		CHK'D BY: Chilli 2023/11/13	
.XX ±0.2		REV.	
.XXX ±0.2		DA2311130020	
ANGLES N/A		1.70	

