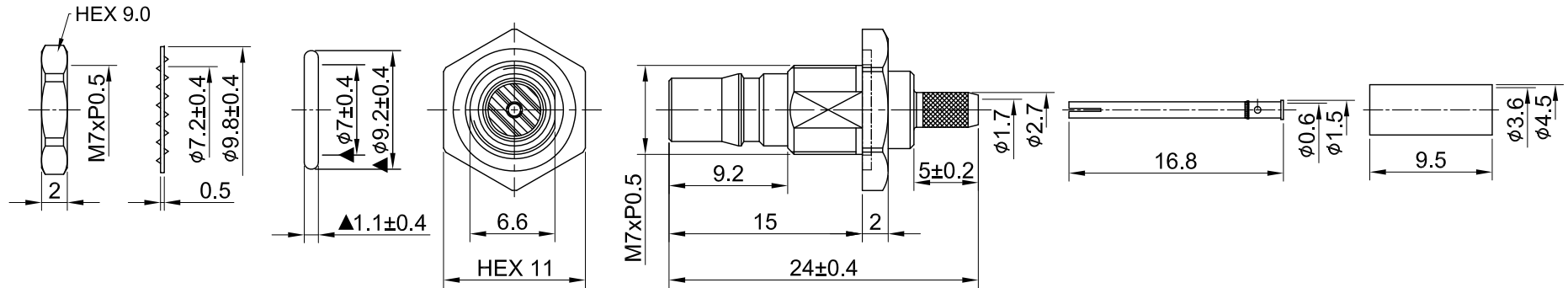
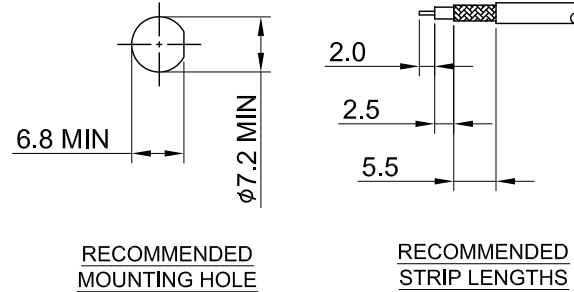


REV	DESCRIPTION	DATE
1.10	NEW DRAWING FRAME	2023/09/05
1.11	CORRECT INSULATION RESISTANCE UNIT	2024/03/15
2.00	ORING CHANGE DESIGN	2024/03/27



MECHANICAL DATA  
 DURABILITY : 100 CYCLES  
 TEMPERATURE RANGE : -65°C ~ + 165°C

ELECTRICAL DATA  
 FREQUENCY RANGE: DC~6GHz  
 IMPEDANCE : 50Ω  
 VSWR : DC~3GHz : 1.3 MAX.  
 3.01~6GHz : 1.5 MAX.  
 WORKING VOLTAGE : AC 500V  
 WITHSTANDING VOLTAGE : AC 1000V  
 INSULATION RESISTANCE : 5000 MΩ MIN

08	NUT	BRASS	NICKEL	1	TITLE QMA(F)st.bh,wOring, crimp for RD316					
07	WASHER	STEEL	NICKEL	1						
06	O RING	SILICONE RUBBER	RED	1						
05	FERRULE	BRASS	NICKEL	1						
04	CENTER PIN	P.BRONZE	GOLD	1	DWG NO. C62CD3F316D02		DRAWN BY: Kelly 2024/03/27			
03	BODY B	BRASS	NICKEL	1	CUST. P/N: N/A DWG NO: N/A		CHK'D BY: Eileen 2024/03/27			
02	BODY A	BRASS	NICKEL	1					REV.	
01	INSULATOR	TEFLON	NONE	1					DA2403270009	
NO	DESCRIPTION	MATERIAL	FINISH	Q'TY	SHEET 1 of 1	Unit: mm				