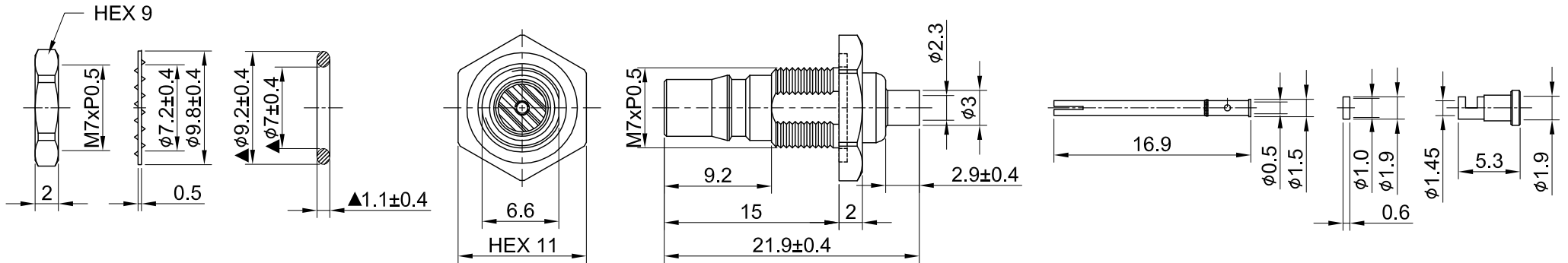
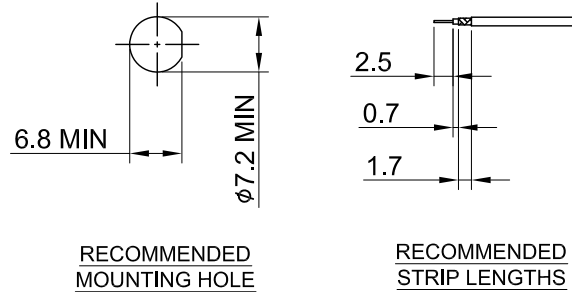


REV	DESCRIPTION	DATE
2.10	CHG FERRULE DESIGN, 1.7 W. 2.6	2020/11/09
2.20	NEW DRAWING FRAME	2023/11/28
3.00	CHG $\phi 9.2/\phi 7/1.1$ W. $\phi 9/\phi 7.4/1$	2024/03/07



MECHANICAL DATA  
 DURABILITY : 100 CYCLES  
 TEMPERATURE RANGE : -65°C ~ + 165°C

ELECTRICAL DATA  
 FREQUENCY RANGE: DC~6GHz  
 IMPEDANCE : 50Ω  
 VSWR : 1.3 MAX.  
 WORKING VOLTAGE : AC 500V  
 WITHSTANDING VOLTAGE : AC 1000V  
 INSULATION RESISTANCE : 5000 MΩ MIN

09	NUT	BRASS	NICKEL	1
08	LOCK WASHER	STEEL	NICKEL	1
07	O RING	SILICONE RUBBER	RED	1
06	FERRULE	BRASS	GOLD	1
05	INSULATOR B	TEFLON	NONE	1
04	CENTER PIN	P.BRONZE	GOLD	1
03	BODY B	BRASS	NICKEL	1
02	BODY A	BRASS	NICKEL	1
01	INSULATOR A	TEFLON	NONE	1
NO	DESCRIPTION	MATERIAL	FINISH	Q'TY

TITLE		QMA(F) bh. wOring for RG178 cable	
DWG NO.		C62CD3F178002	
CUST. P/N: N/A		DRAWN BY: Kelly 2024/03/07	
DWG NO: N/A		CHK'D BY: Eileen 2024/03/07	
SHEET 1 of 1		Unit: mm	
GENERAL TOLERANCES			
DA2403070013		REV. 3.00	