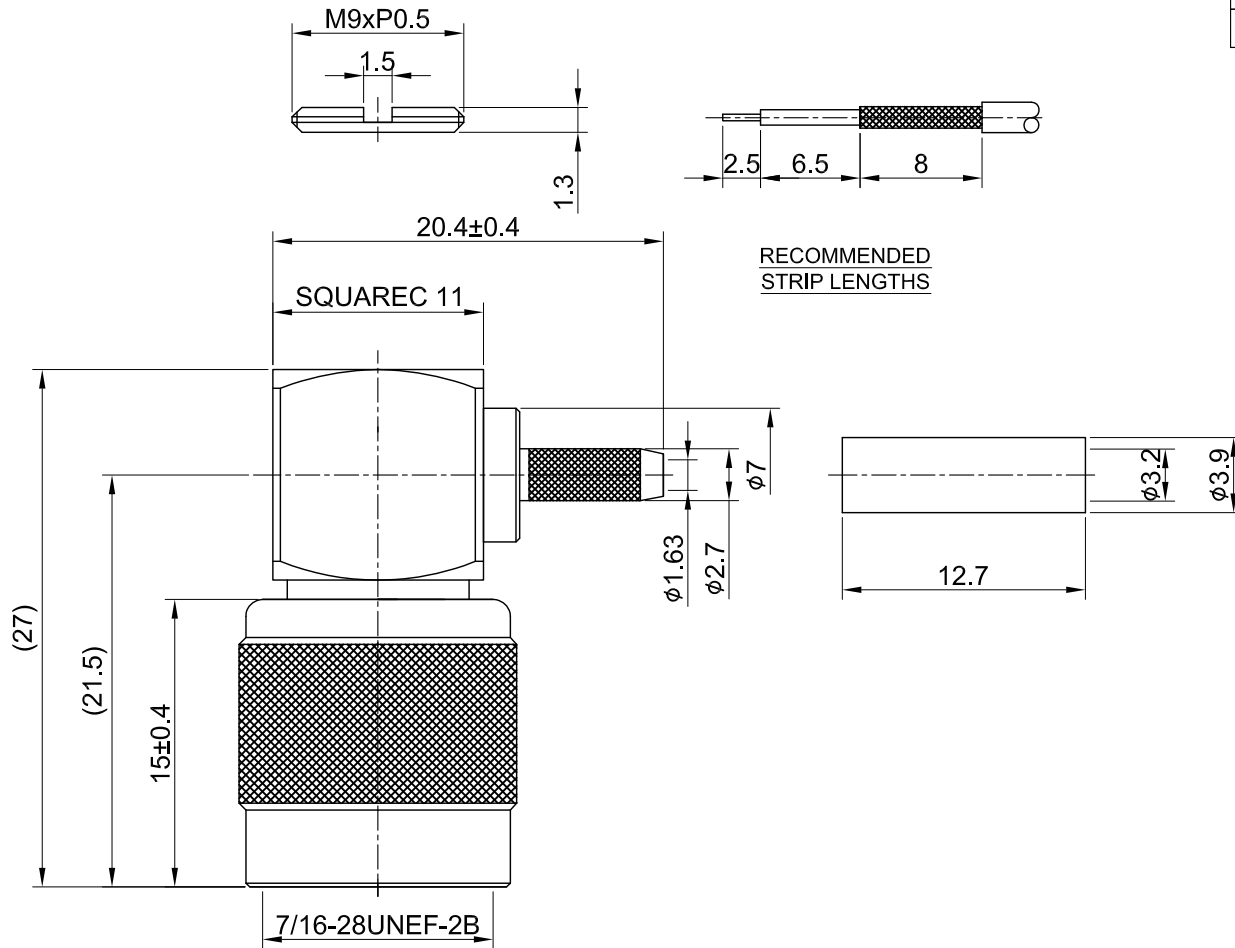



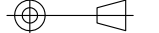
REV	DESCRIPTION	DATE
1.20	NEW DRAWING FRAME	2023/06/12
1.21	UPDATE ELECTRICAL DATA	2024/10/18



MECHANICAL DATA  
TEMPERATURE RANGE : -65°C ~ + 165°C

ELECTRICAL DATA  
FREQUENCY RANGE: DC~3GHz  
IMPEDANCE : 50Ω  
VSWR : 1.5 MAX.  
WORKING VOLTAGE : AC 500V  
WITHSTANDING VOLTAGE : AC 1500V  
INSULATION RESISTANCE : 5000 MΩ MIN

10	FERRULE	BRASS	NICKEL	1
09	NUT	BRASS	NICKEL	1
08	BODY B	BRASS	NICKEL	1
07	BODY A	BRASS	NICKEL	1
06	CENTER PIN	BRASS	GOLD	1
05	WASHER	BRASS	NICKEL	1
04	INNER RETAINING RING	BRASS	NICKEL	1
03	GASKET	SILICONE RUBBER	RED	1
02	INSULATOR	TEFLON	NONE	1
01	SHELL	BRASS	NICKEL	1
NO	DESCRIPTION	MATERIAL	FINISH	Q'TY

TITLE			DRAWN BY: Kelly 2024/10/18
TNC(M)ra. crimp to RG316/RG174			
DWG NO. C17DA3F174004		GENERAL TOLERANCES .X ±0.2 .XX ±0.2 .XXX ±0.2 ANGLES N/A	 REV. 1.21
CUST. P/N: N/A DWG NO: N/A			
SHEET 1 of 1	Unit: mm		