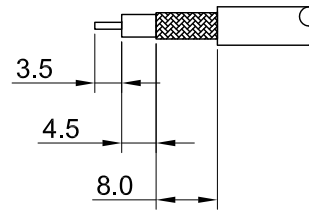
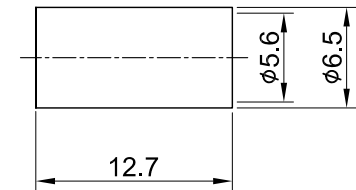
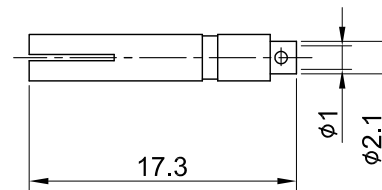
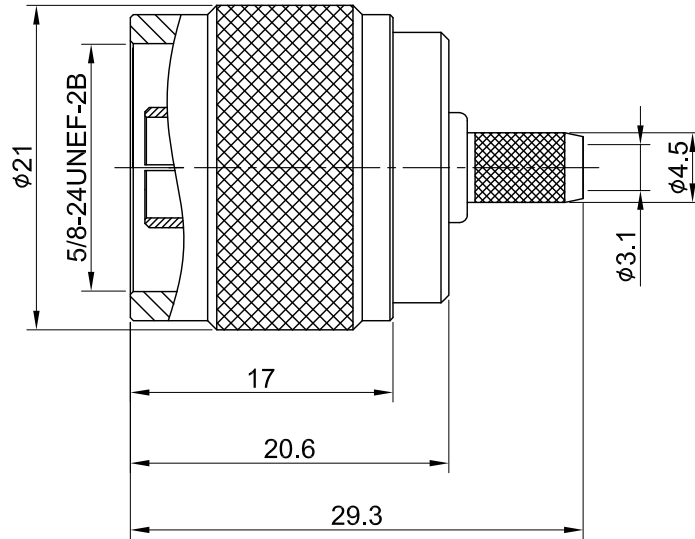


REV	DESCRIPTION	DATE
1.00	INITIAL DESIGN	2011/06/01
1.10	NEW DRAWING FRAME	2024/05/09
1.11	REMOVE TITLE LMR195	2024/10/30




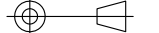
RECOMMENDED STRIP LENGTHS



MECHANICAL DATA
 DURABILITY : 100 CYCLES
 TEMPERATURE RANGE : -65°C ~ + 165°C

ELECTRICAL DATA
 FREQUENCY RANGE: DC~6GHz
 IMPEDANCE : 50Ω
 VSWR : 1.5 MAX.
 WORKING VOLTAGE : AC 1500V
 WITHSTANDING VOLTAGE : AC 2500V
 INSULATION RESISTANCE : 5000 MΩ MIN

09	FERRULE	BRASS	NICKEL	1
08	CENTER PIN	P.BRONZE	GOLD	1
07	BODY C	BRASS	NICKEL	1
06	BODY B	BRASS	NICKEL	1
05	INSULATOR	TEFLON	NONE	1
04	INNER RETAINING RING	BRASS	NONE	1
03	GASKET	SILICONE RUBBER	RED	1
02	SHELL	BRASS	NICKEL	1
01	BODY A	BRASS	NICKEL	1
NO	DESCRIPTION	MATERIAL	FINISH	Q'TY

TITLE		DRAWN BY: Kelly		2024/10/30
RP N(M) st. crimp type for RG58		CHK'D BY: Mindy		2024/10/30
DWG NO. C69CA3F058A01				REV.
CUST. P/N: N/A		GENERAL TOLERANCES .X ±0.2 .XX ±0.2 .XXX ±0.2 ANGLES N/A		DA2410300014
DWG NO: N/A				1.11
SHEET	1 of 1	Unit: mm		