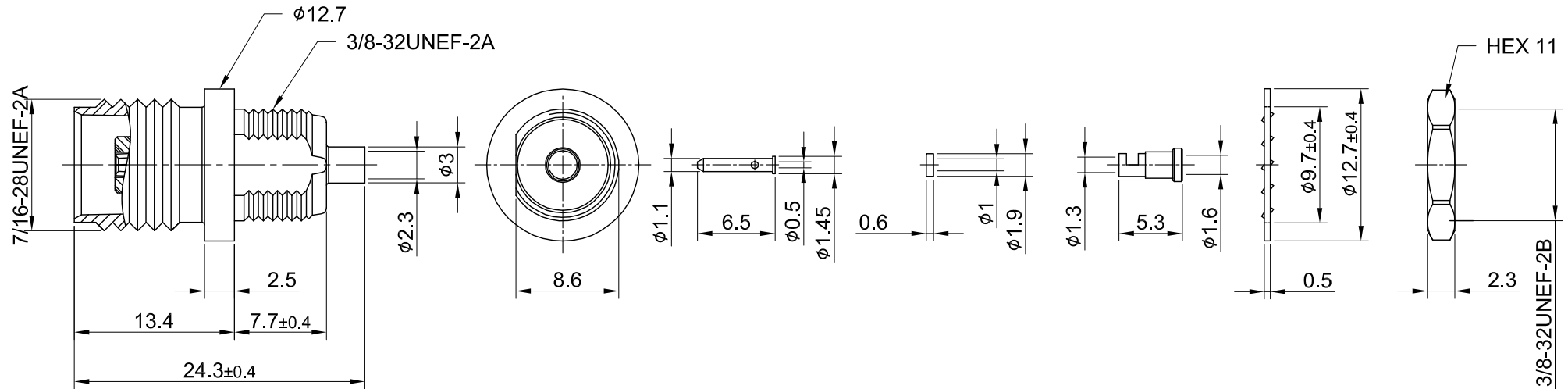
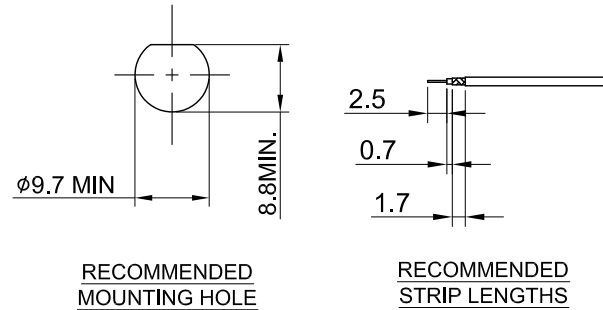


REV	DESCRIPTION	DATE
1.00	INITIAL DESIGN	2025/01/14



MECHANICAL DATA  
 DURABILITY : 100 CYCLES  
 TEMPERATURE RANGE : -65°C ~ +165°C

ELECTRICAL DATA  
 FREQUENCY RANGE: DC~ 6GHz  
 IMPEDANCE : 50Ω  
 VSWR : 1.5 MAX.  
 WORKING VOLTAGE : AC 500V  
 WITHSTANDING VOLTAGE : AC 1500V  
 INSULATION RESISTANCE : 5000 MΩ MIN

11	NUT	BRASS	NICKEL	1
10	LOCK WASHER	BRASS	NICKEL	1
09	FERRULE	BRASS	GOLD	1
08	INSULATOR GASKET	TEFLON	NONE	1
07	BULLET CONTACT	BRASS	GOLD	1
06	BODY B	BRASS	NICKEL	1
05	CENTER CONTACT	Be.Cu	GOLD	1
04	INSULATOR B	TEFLON	NONE	1
03	PIN	P.BRONZE	GOLD	1
02	INSULATOR A	TEFLON	NONE	1
01	BODY A	BRASS	NICKEL	1
NO	DESCRIPTION	MATERIAL	FINISH	Q'TY

TITLE		DRAWN BY: Kelly		2025/01/14
TNC(F) bh. front mount for 1.37 cable, pin in pin		CHK'D BY: Chilli		2025/01/14
DWG NO. C18CK3F137005A		REV.		1.00
CUST. P/N: N/A		DA2501140008		
DWG NO: N/A				
SHEET 1 of 1		Unit: mm		
GENERAL TOLERANCES		ANGLES		
.X	±0.2			
.XX	±0.2			
.XXX	±0.2			
ANGLES	N/A			

