



Wellshow
Always Innovation



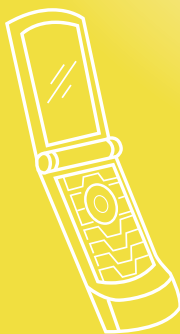
047



PRODUCT SPECIFICATION

WLAN 2.4/5.8G Dipole Antenna

Product No. AR003WSW0319N (RP-SMA Plug)
AR003WSW0301N (SMA Plug)



RF Connector, RF Cable & Antenna Manufacturer

E-mail: sales@wellshow.com.tw
Tel: +886-2-24239376 Fax: +886-2-24260387
9F., No.181, Nanrong Rd., Ren-ai Dist., Keelung City 200, Taiwan (R.O.C.)

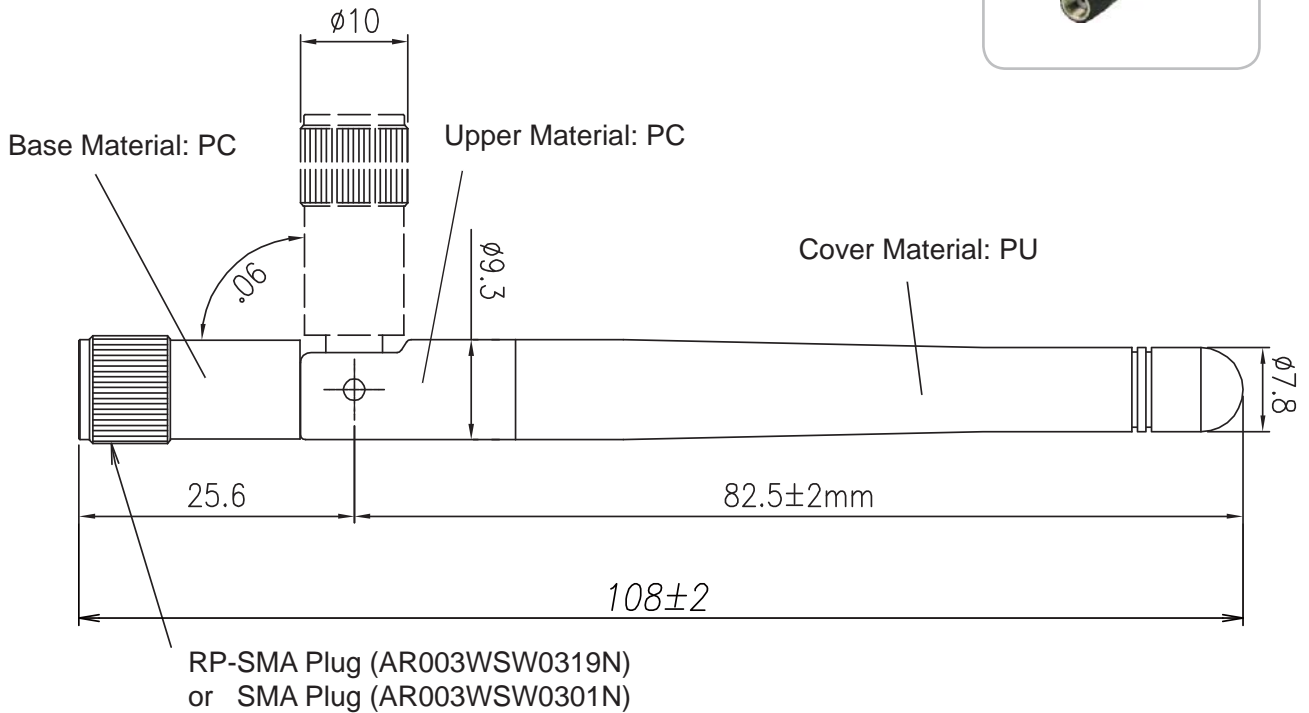


WLAN 2.4/5.8G Dipole Antenna

Product No. AR003WSW0319N (RP-SMA Plug)
AR003WSW0301N (SMA Plug)



Structure Figure



Mechanical

| | |
|-----------------------|-------------------------|
| Antenna Cover | PU |
| Antenna Base | PC |
| Operating Temperature | -20°C~+65°C |
| Storage Temperature | -30°C~+75°C |
| Connector | RP-SMA Plug or SMA Plug |

Electrical

| | |
|-------------------|---|
| Frequency Range | 2.4 GHz ~ 5.8 GHz |
| Impedance | 50 Ω |
| VSWR | 2.0 Max (2.4~2.5GHz & 5.15~5.825GHz) |
| Return Loss | - 10 dB Max (2.4~2.5GHz & 5.15~5.825GHz) |
| Certain Direction | Omni |
| Max Gain | 1.5 dBi @ 2.5 GHz 2.1 dBi @ 5.825 GHz |