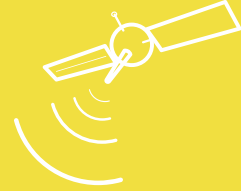




**Wellshow**  
Always Innovation



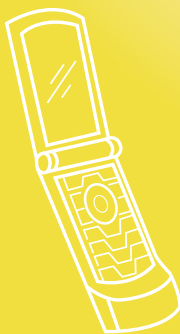
047



## PRODUCT SPECIFICATION

# AR015 WLAN 2.4/5.8GHz Antenna

Product No. AR015WSW0319N (RP-SMA Plug)  
AR015WSW0301N (SMA Plug)



RF Connector, RF Cable & Antenna Manufacturer

E-mail: [sales@wellshow.com.tw](mailto:sales@wellshow.com.tw)  
Tel: +886-2-24239376 Fax: +886-2-24260387  
9F., No.181, Nanrong Rd., Ren-ai Dist., Keelung City 200, Taiwan (R.O.C.)

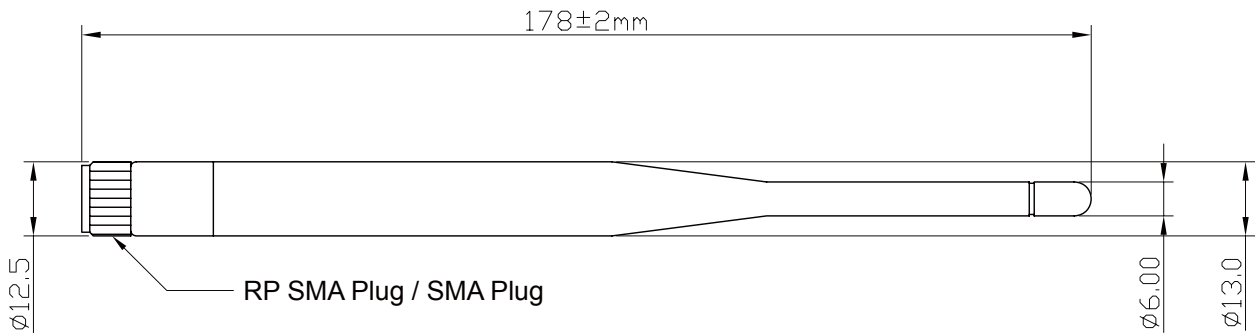


# WLAN 2.4/5.8GHz Antenna

P/N AR015WSW0319N (RP-SMA Plug)  
P/N AR015WSW0301N (SMA Plug)



## Structure Figure



Unit: mm

## Mechanical

|                       |                                     |
|-----------------------|-------------------------------------|
| Antenna Cover         | TPEE (Black)                        |
| Antenna Base          | PBT (Black)                         |
| Operating Temperature | -20°C~+65°C                         |
| Storage Temperature   | -30°C~+75°C                         |
| Connector             | RP-SMA Plug (19N)<br>SMA Plug (01N) |
| Cable Type            | RG316                               |

## Electrical

|                   |  |
|-------------------|--|
| Frequency Range   | 2.4/5.8 GHz                              |
| Impedance         | 50 Ω                                     |
| Return Loss       | -15.8 dB @ 2.4 Ghz<br>-16.4 dB @ 5.8 GHz |
| Certain direction | Omni                                     |
| V.S.W.R           | < 2.0 : 1                                |

## Test results

### Return Loss

